



M9400 SOFTLINE PLUS

Oktobar 2011.god

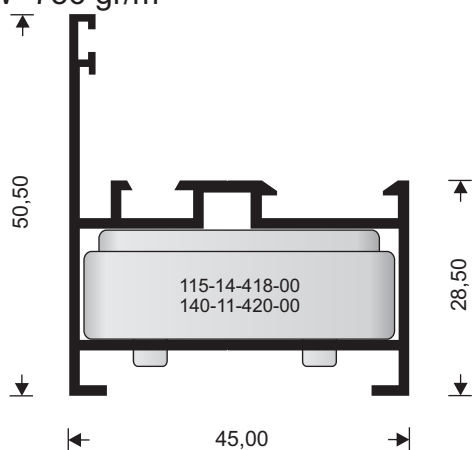
Profili Profiles

1:1

M 9300

W=756 gr/m

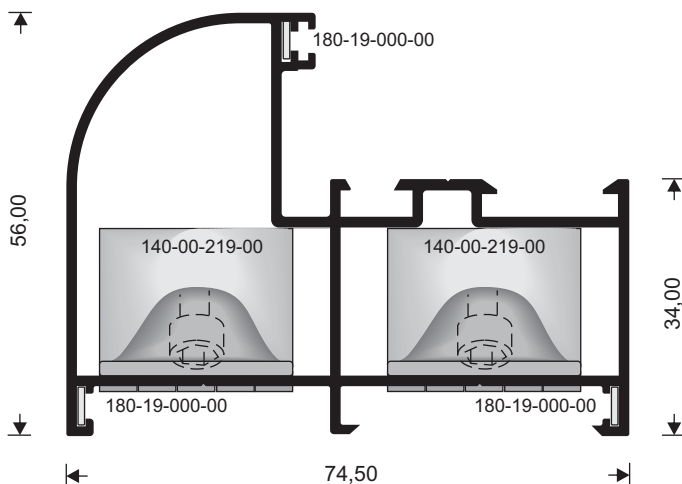
ŠTOK RAVNI-MALI
FRAME SMALL FLAT



M 9424

W=1209 gr/m

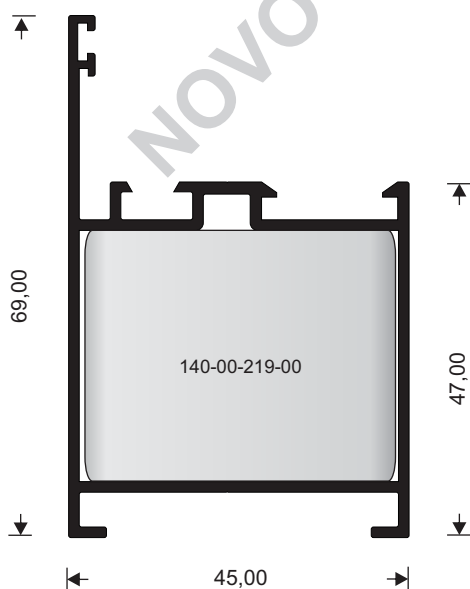
ŠTOK ZAoblJENI-SREDNJI
FRAME ROUND MEDIUM



BHS 4645

W=889 gr/m

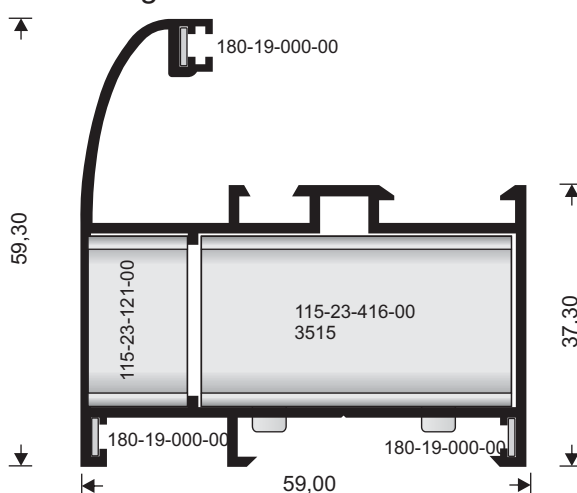
RAVNII ŠTOK
FRAME FLAT



M 9518

W=1035 gr/m

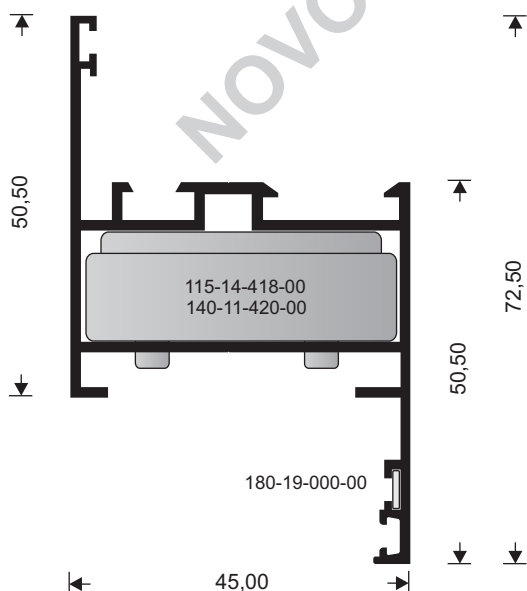
ŠTOK ZAoblJENI-VELIKI
FRAME ROUND LARGE



M 9536

W=1035 gr/m

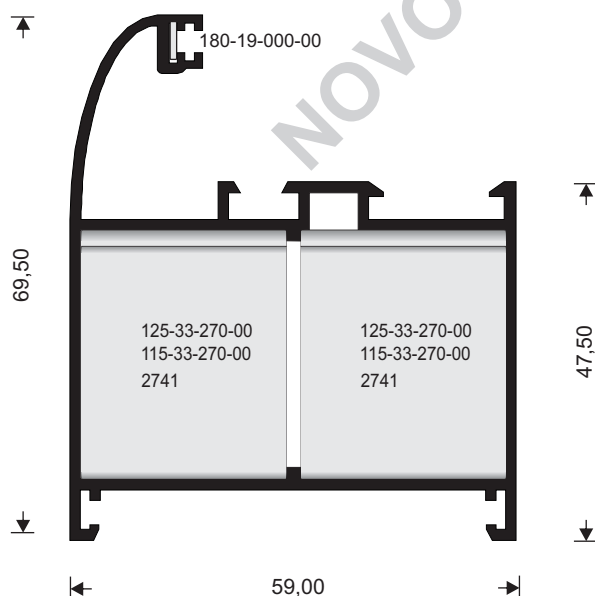
Z-ŠTOK
"Z" FRAME



BH 18

W=1095 gr/m

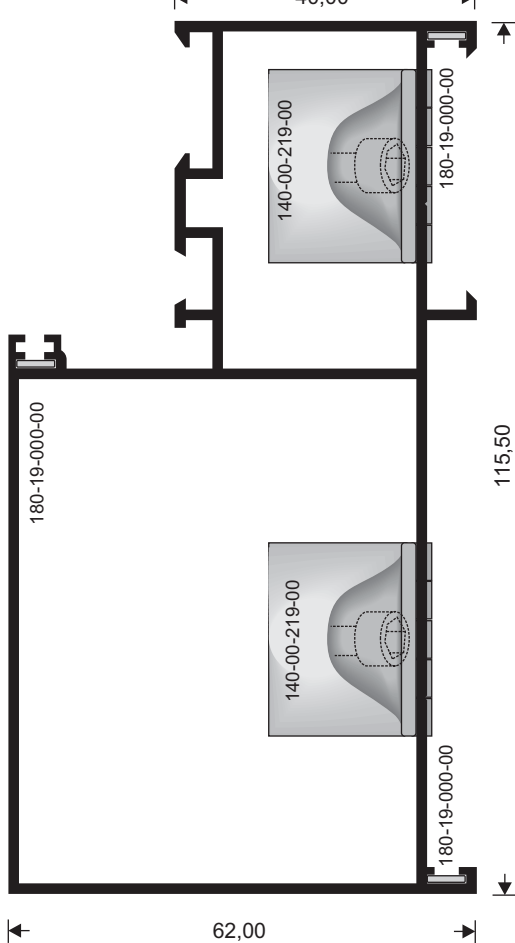
ŠTOK ZAoblJENI
FRAME ROUND



M 9130

W=1630 gr/m

OJAČANI ŠTOK
FRAME LARGE FLAT



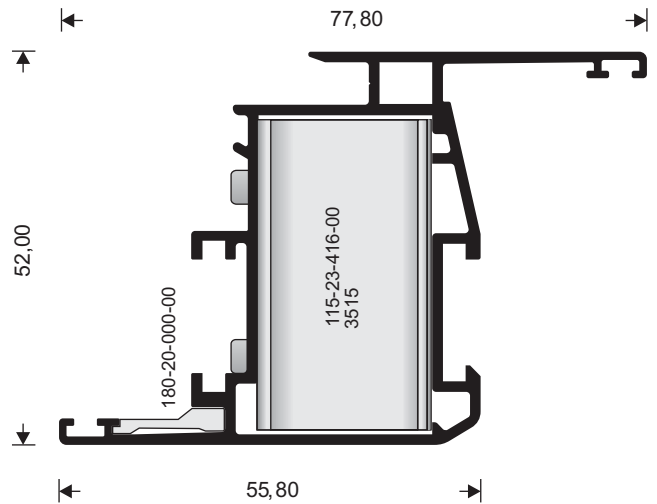
NAMJENJENO ZA IZLOGE:
ŠTOK M9130 MOŽE SE KORISTITI
U KOMBINACIJI SA "T" PREČKAMA
M9132 (KAO VERTIKALA)
I M9485 (KAO HORIZONTALA)
ZA IZRADU IZLOGA.

**CONSTRUCTIVE SOLUTION
FOR SHOPFRONTS:**
THE FRAME M9130 CAN BE USED
IN CONUCTION WITH "T" PROFILES
M9132 (AS COLUMN)
AND M9485 (AS TRANSVERSE)
FOR THE CONSTRUCTION
OF SHOPFRONTS.

M 9502

W=1088 gr/m

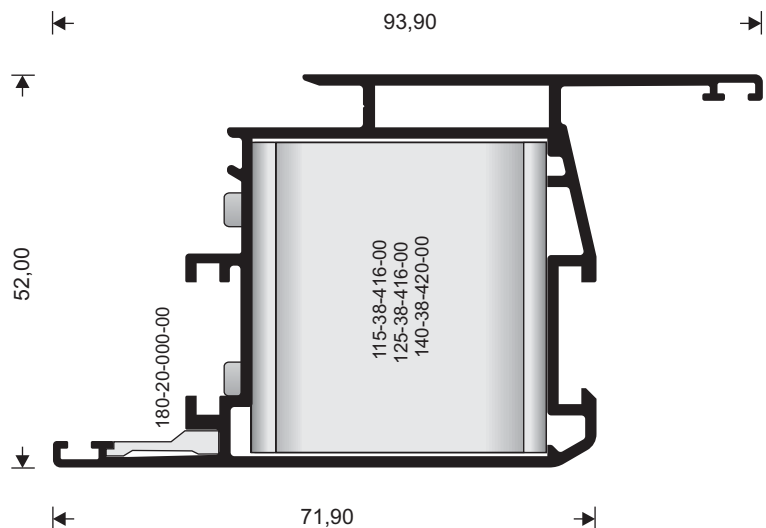
KRILO RAVNO-SREDNJE
SASH MEDIUM FLAT



M 9503

W=1319 gr/m

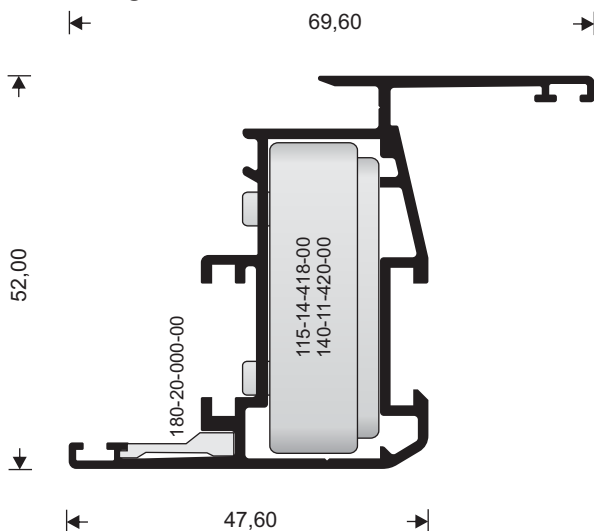
KRILO RAVNO-VELIKO
SASH LARGE FLAT



M 9501

W=966 gr/m

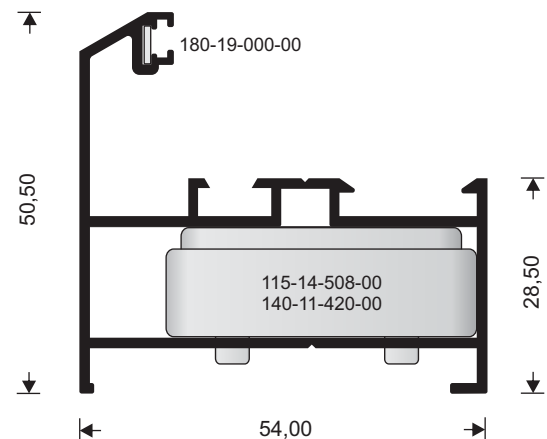
KRILO RAVNO-MALO
SASH SMALL FLAT



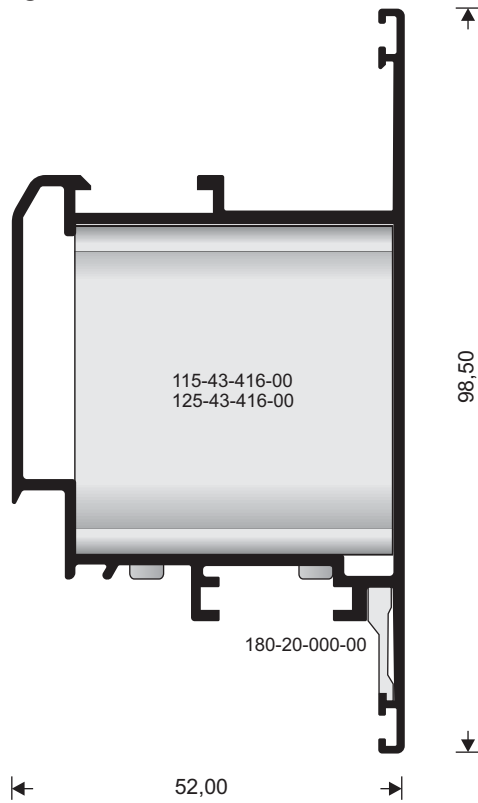
M 9320

W=859 gr/m

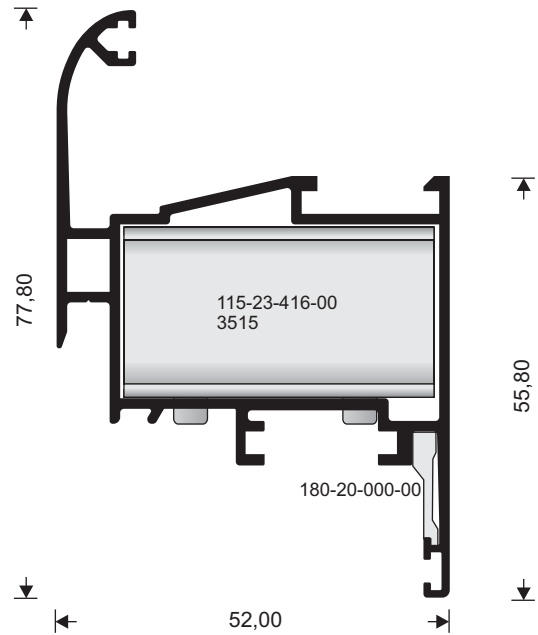
ŠTOK "CLASSIC"-MALI
FRAME "CLASSIC" SMALL



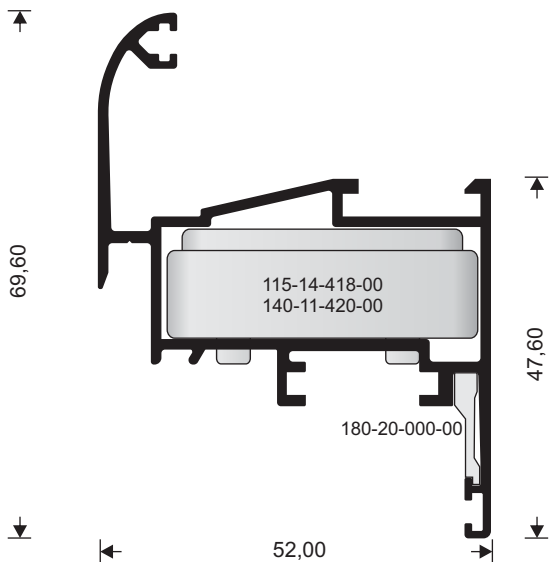
M 9527 KRILO RAVNO-VELIKO OTVARANJE VANI
W=1225 gr/m SASH LARGE FLAT OPENING OUT



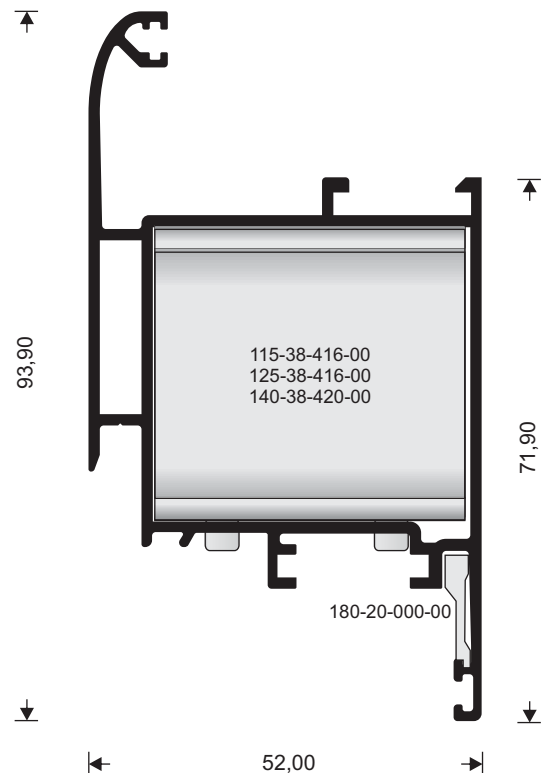
M 9551 KRILO ZAoblJENO SREDNJE
W=1078 gr/m SASH ROUND MEDIUM



M 9550 KRILO ZAoblJENO-SREDNJE
W=967 gr/m SASH ROUND MEDIUM



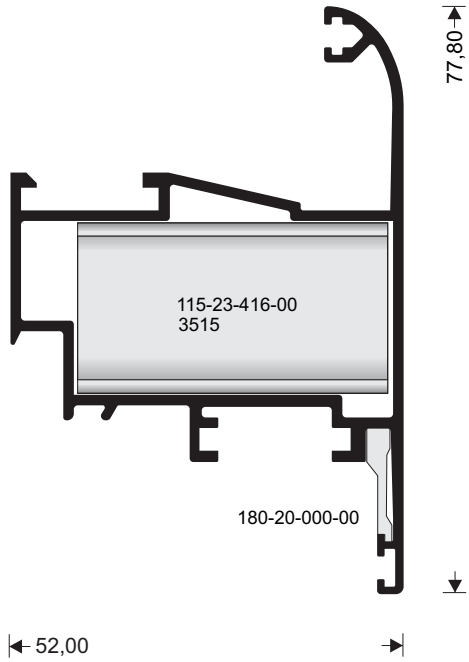
M 9572 KRILO ZAoblJENO-VELIKO
W=1332 gr/m SASH ROUND LARGE



M 9526

ZAOLJENO KRILO-SREDNJE,
OTVARANJE VANI

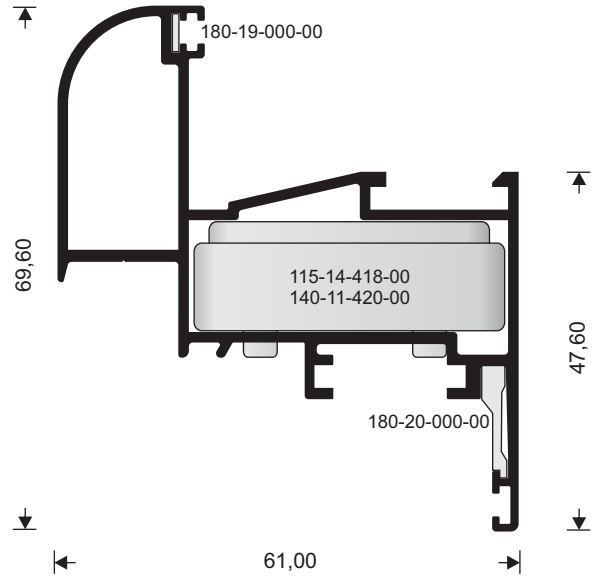
W=1032 gr/m SASH ROUND MEDIUM OP. OUTSIDE



M 9560

KRILO ZAOLJENO-MALO
SASH ROUND SMALL

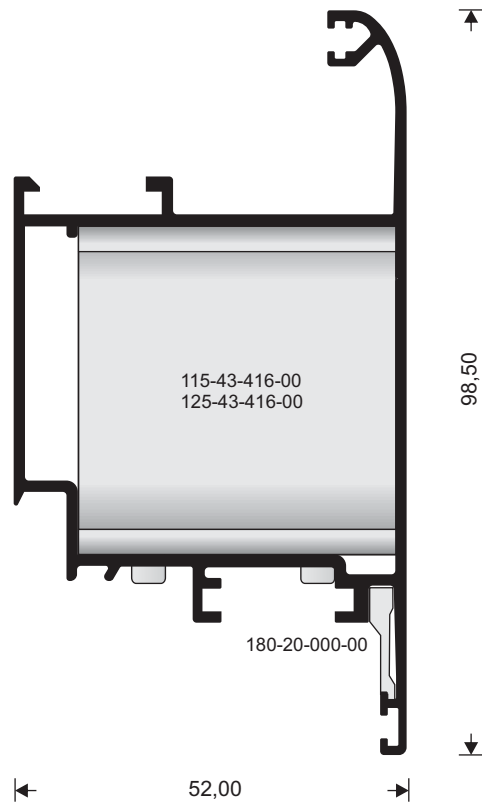
W=1115 gr/m



M 9517

ZAOLJENO KRILO-VELIKO
ZA OTVARANJE VANI
LARGE ROUND SASH
OPENING OUTWARDS

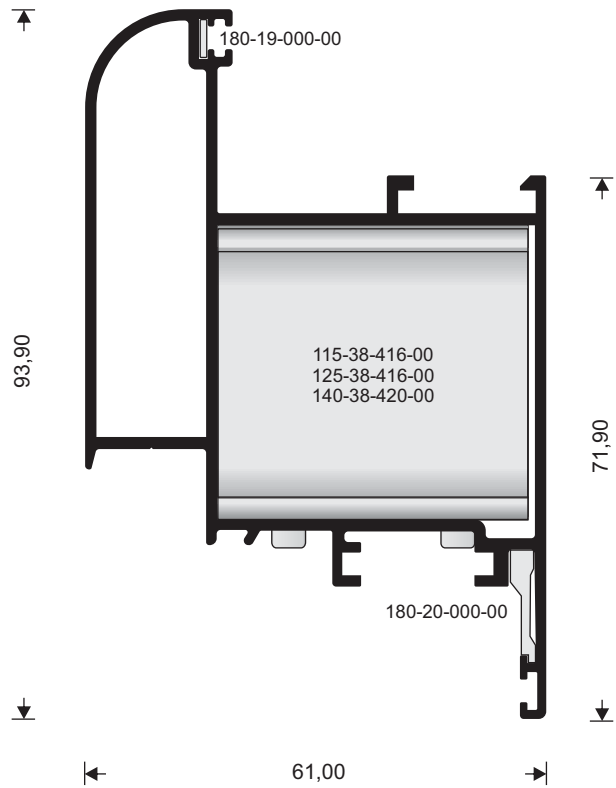
W=1267 gr/m



M 9562

ZAOLJENO KRILO-VELIKO
SASH ROUND LARGE

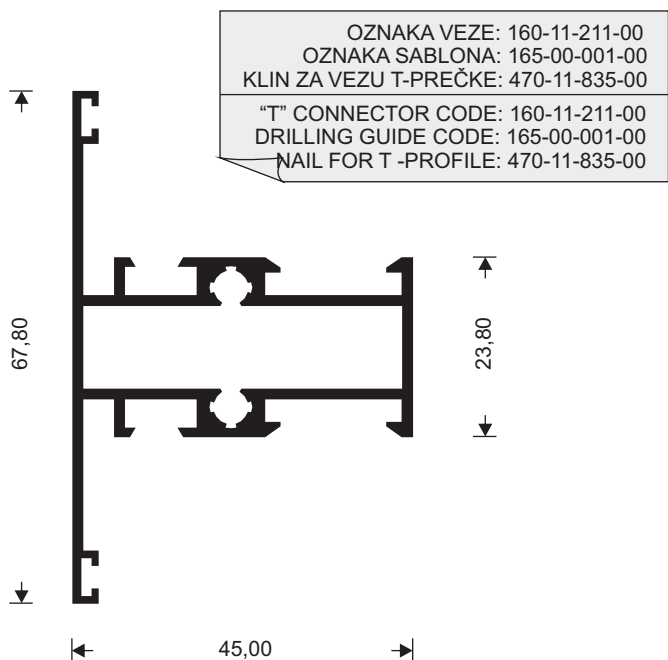
W=1465 gr/m



M 9305

W=927 gr/m

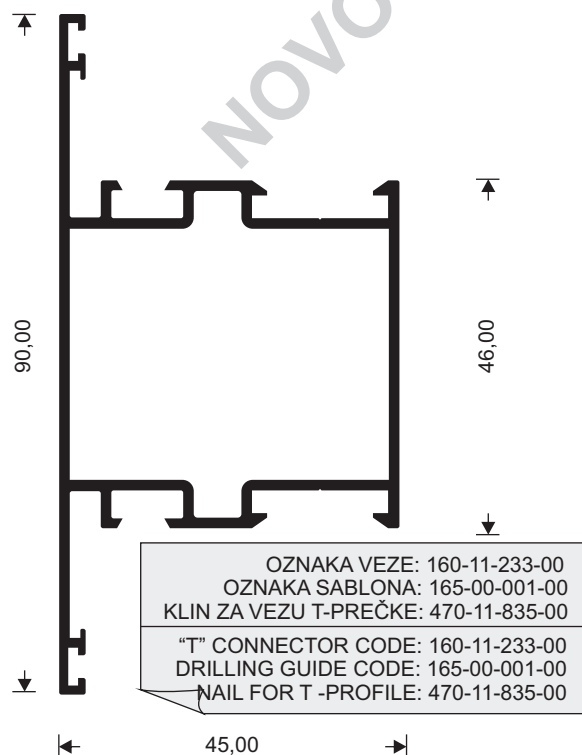
"T" PREČKA
"T" PROFILE



BHT 4645

W=1034 gr/m

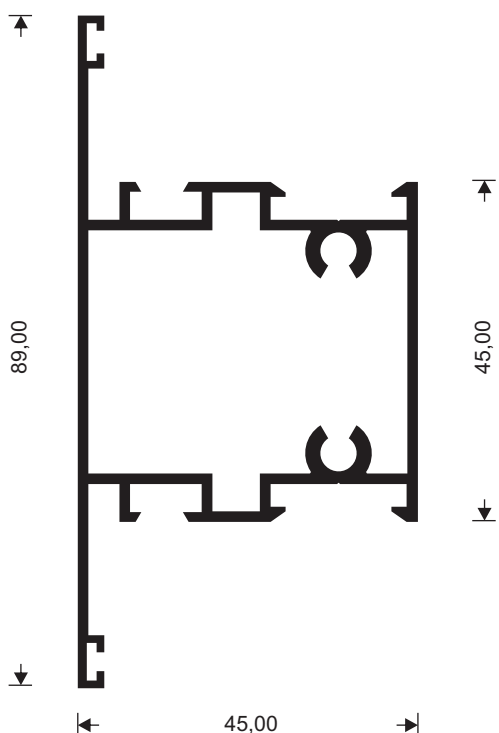
"T" PREČKA
"T" PROFILE



M 9308

W=1166 gr/m

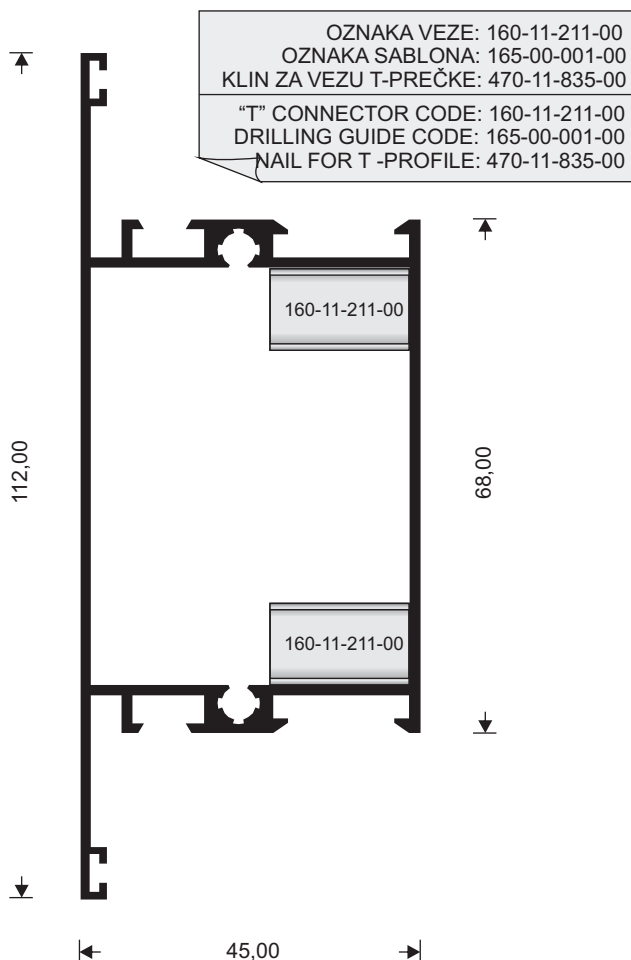
"T" PREČKA
"T" PROFILE



M 9307

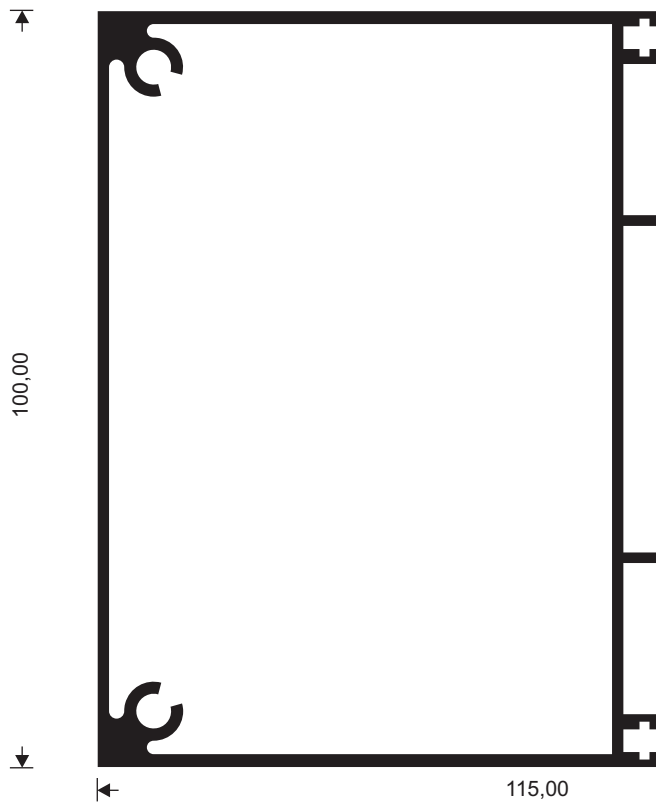
W=1264 gr/m

"T" PREČKA
"T" PROFILE

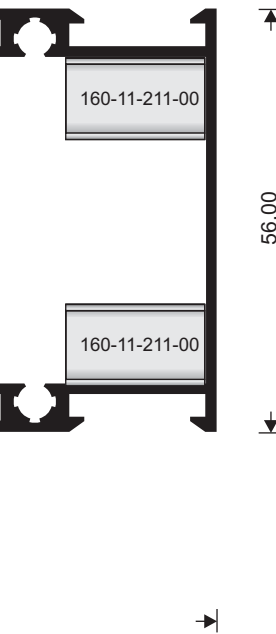


M 9132
W=2539 gr/m

OJAČANA T PREČKA
"T" PROFILE



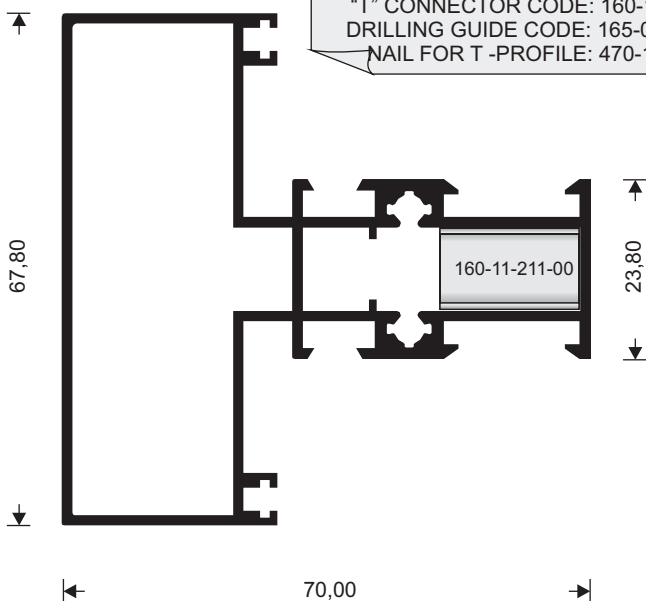
OZNAKA VEZE: 160-11-211-00
OZNAKA SABLONA: 165-00-001-00
"T" CONNECTOR CODE: 160-11-211-00
DRILLING GUIDE CODE: 165-00-001-00



M 9485
W=1438 gr/m

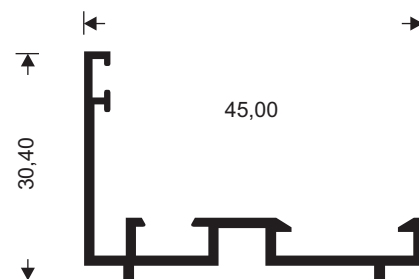
OJAČANA T PREČKA
"T" PROFILE

OZNAKA VEZE: 160-11-211-00
OZNAKA SABLONA: 165-00-001-00
KLIN ZA VEZU T-PREČKE: 470-11-835-00
"T" CONNECTOR CODE: 160-11-211-00
DRILLING GUIDE CODE: 165-00-001-00
NAIL FOR T -PROFILE: 470-11-835-00



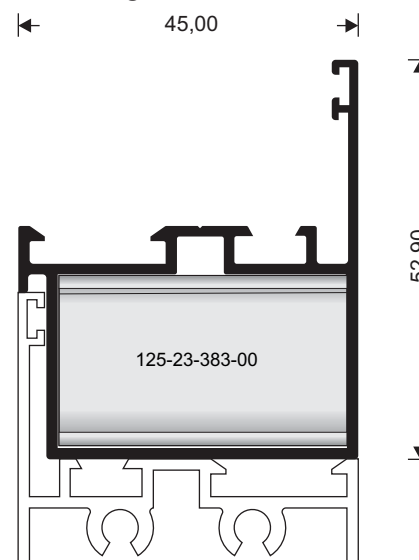
M 9325
W=401 gr/m

DODATAK ZA ŠTOK
FRAME



M 9374
W=709 gr/m

PROFIL ZA PROMJENU SMJERA
SASH INVERSION PROFILE

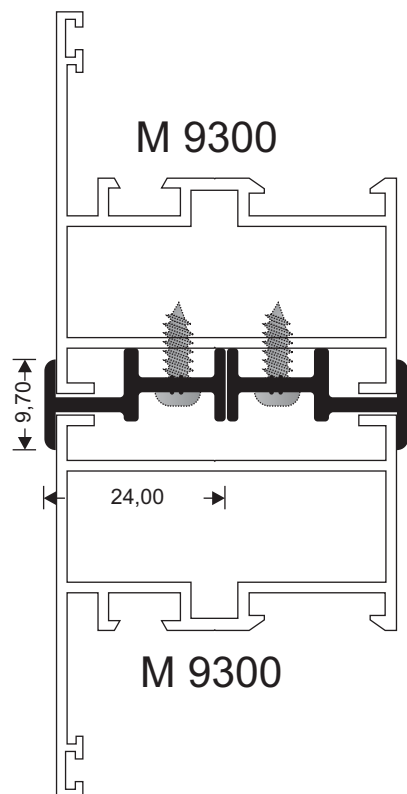


UPOZORENJE!
UPOTREBLJAVA SE SAMO SA RAVNIM "T" PREČKAMA
CAUTION !
USED ONLY WITH FLAT "T" PROFILES

M 9324

W=242 gr/m

PROFIL ZA SPAJANJE ŠTOKOVA
PROFILE FOR FRAME COUPLING

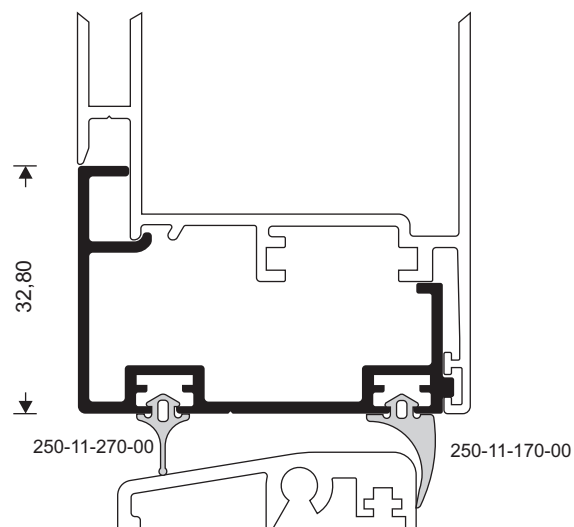


KORISTI SE ZA SPAJANJE (ŠTOK NA ŠTOK):
FACILITATES THE COUPLING (FRAME TO FRAME):
M9300-M9300 ; M9320-M9320 ; M9424-M9424

M 9431

W=561 gr/m

DODATNI PROFIL ZA DNO VRATA
SUPPLEMENTARY PROFILE
FOR MAIN ENTRANCE SASHES



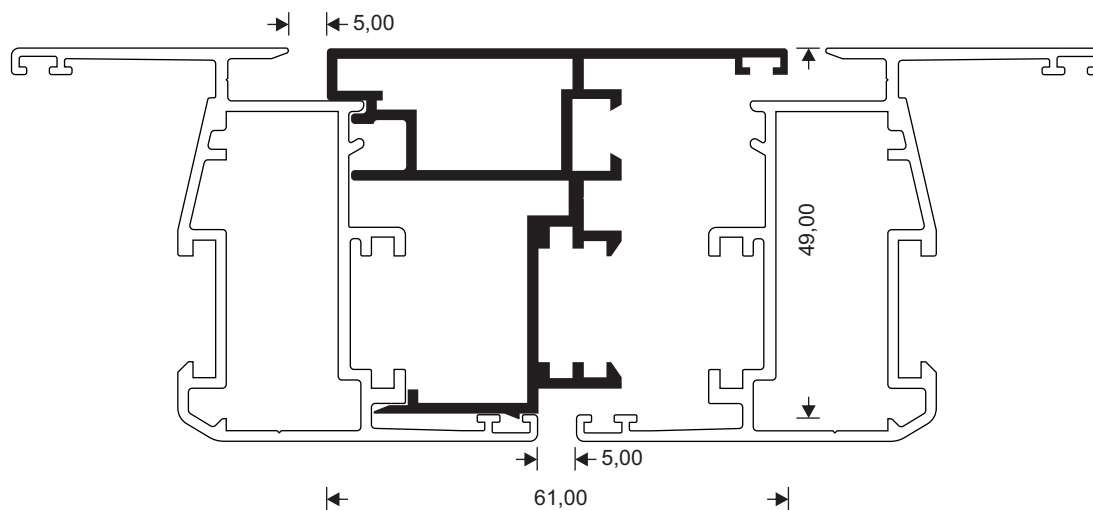
OZNAKA PVC ČEPOVA / PLASTIC ENDCAP CODE: 310-09-431-00

M 9504

W=929 gr/m

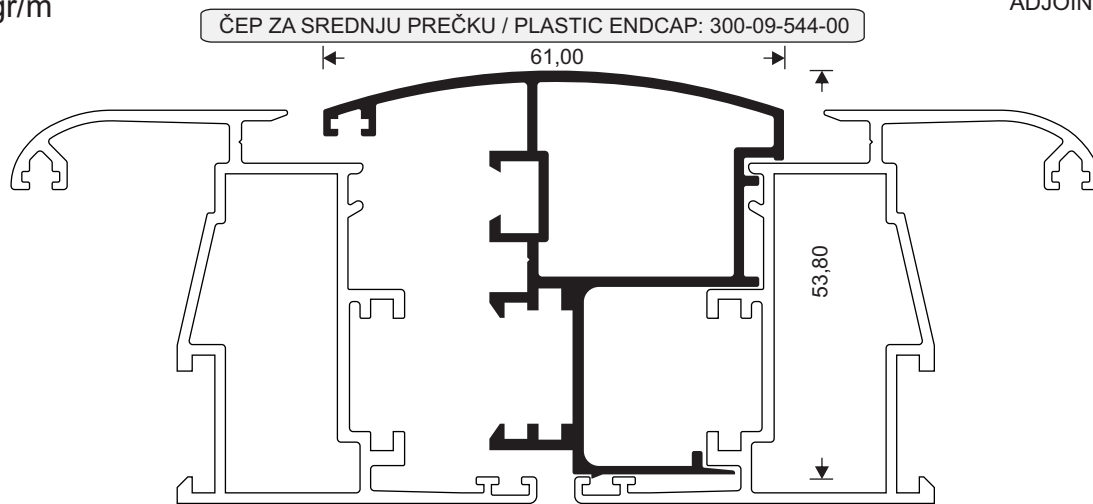
SREDNJA PREČKA
ADJOINING PROFILE

ČEP ZA SREDNJU PREČKU / PLASTIC ENDCAP CODE: 300-09-304-00



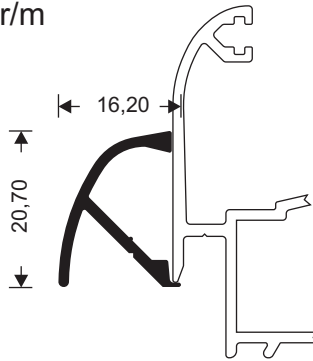
M 9544
W=904 gr/m

SREDNJA PREČKA
ADJOINING PROFILE



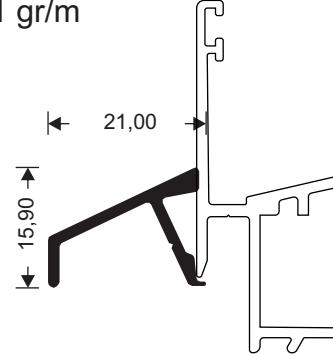
M 11116
W=184 gr/m

OKAPNICA
WATERCAP



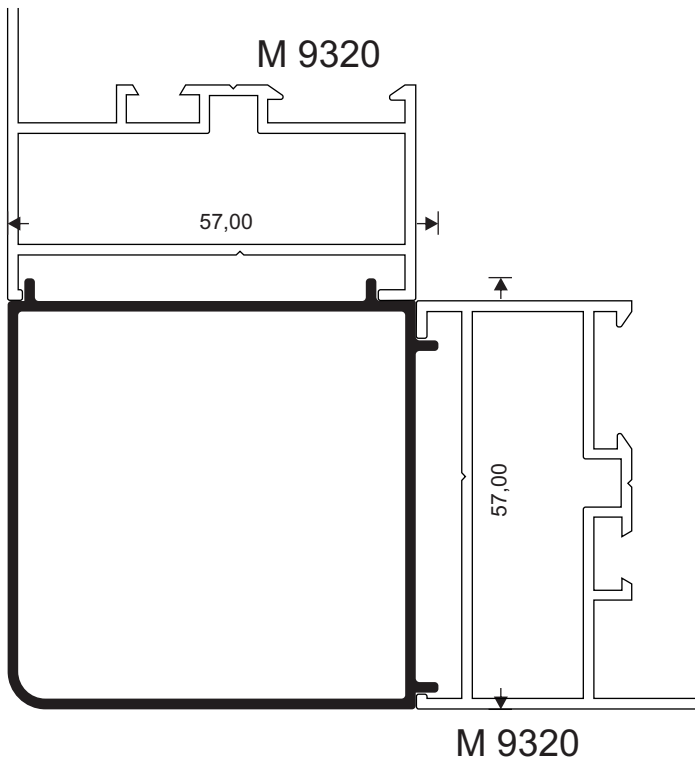
M 9317
W=181 gr/m

OKAPNICA
WATERCAP



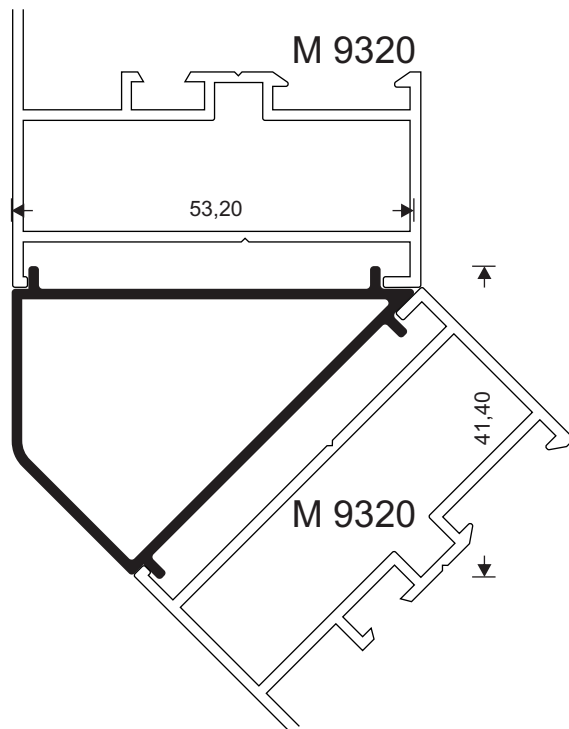
OZNAKA PVC ČEPOVA / PLASTIC ENDCAP CODE: 310-11-116-00

M 9375 UGAO 90°
W=834 gr/m SUPPLEMENTARY PROFILE FOR 90°



OZNAKA PVC ČEPOVA / PLASTIC ENDCAP CODE: 310-09-317-00

M 9376 UGAO 135°
W=595 gr/m SUPPLEMENTARY PROFILE FOR 135°

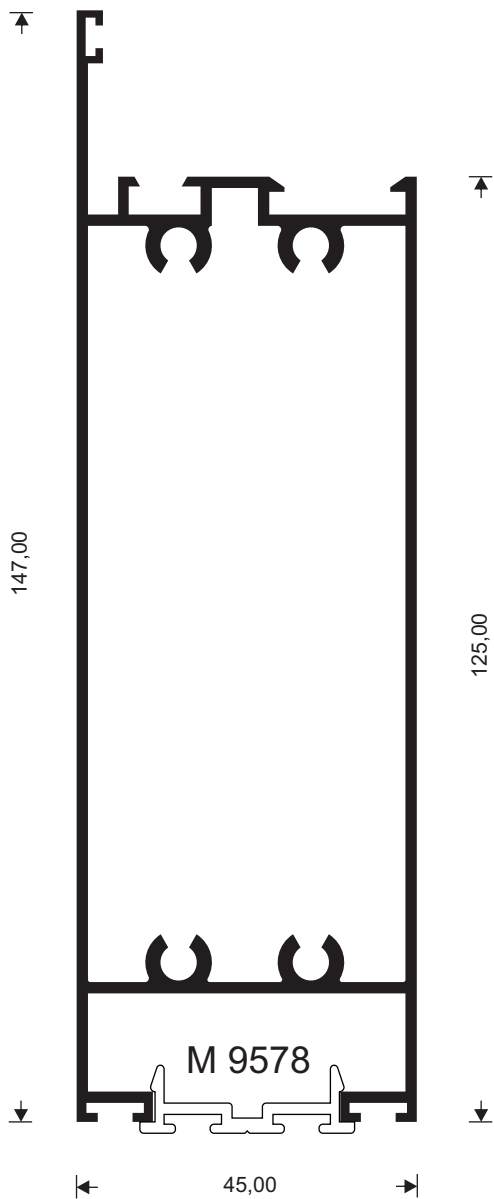


UPOZORENJE: PROFILI SE KORISTE ISKLJUČIVO SA ŠTOKOM M9320
CAUTION: THE PROFILE IS DESIGNED FOR ANGULAR CONSTRUCTIONS WITH FRAME M9320 ONLY

M 9533

W=1924 gr/m

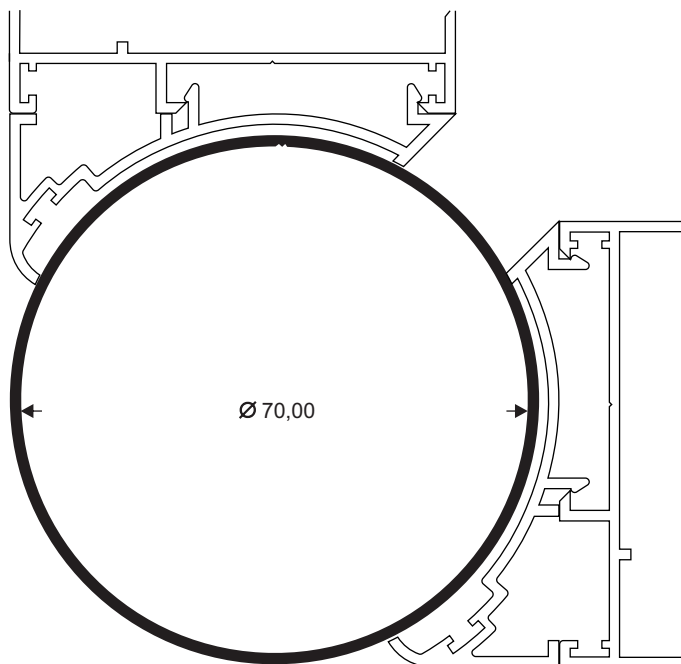
PARAPET
KICKPLATE



T 35

W=871 gr/m

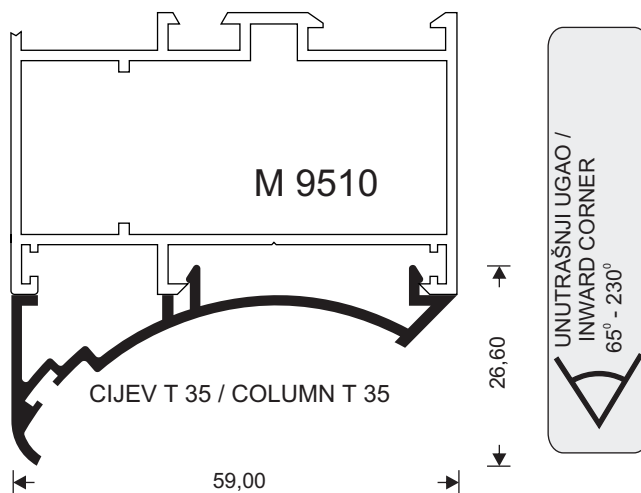
CIJEV ZA FLEKSIBILNI UGAO
COLUMN FOR VARIABLE
ANGULAR CONSTRUCTIONS



M 9427

W=429 gr/m

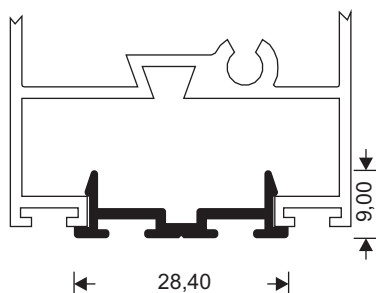
LAJRNA ZA FLEKSIBILNI UGAO
ADJ. PROFILE FOR VARIABLE
ANGULAR CONSTRUCTIONS
WITH FRAME M9510



M 9578

W=1924 gr/m

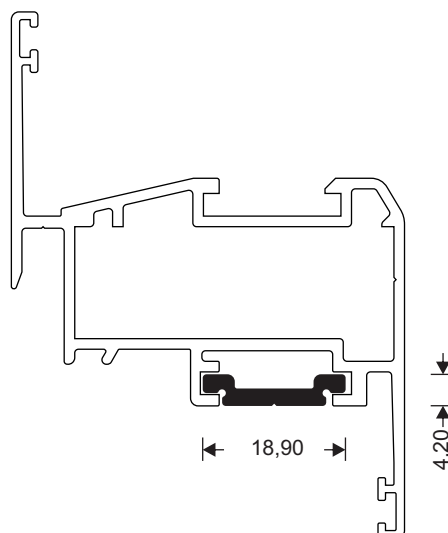
NOSAČ GUME ZA DNO VRATA
SUPPLEMENTARY SEALING PROFILE
FOR KICKPLATES



M 9316

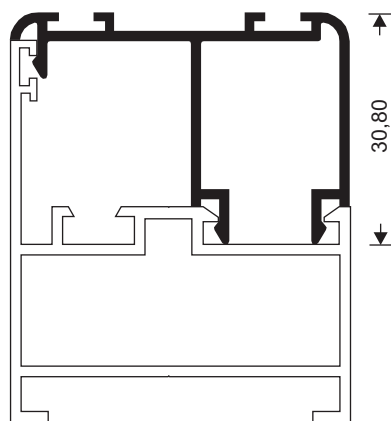
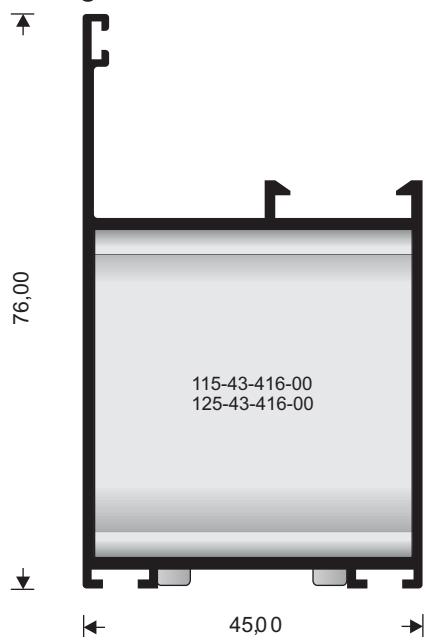
W=136 gr/m

POTISNA LETVA
ROD



M 9576
W=956 gr/m

KRILO ZA "SALON" VRATA
SASH FOR "SALOON" DOORS

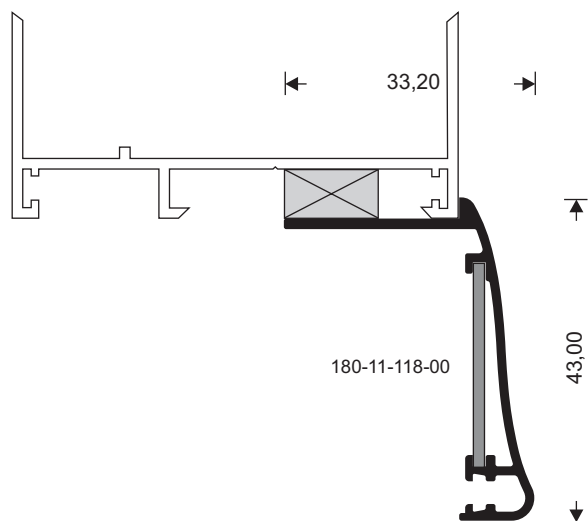


M 9322
W=479 gr/m

DODATAK ZA ŠTOK ZA "SALON" VRATA
FRAME ADDITION FOR "SALOON" DOORS

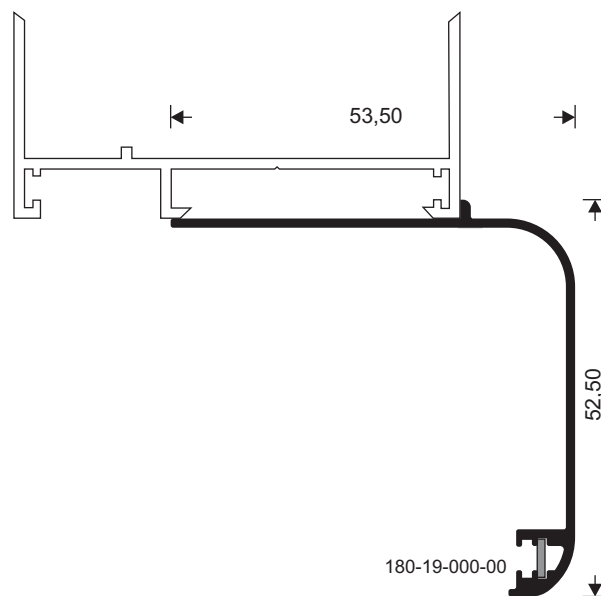
M 11118

DEKORATIVNI PROFIL
DECORATIVE ARMATURE



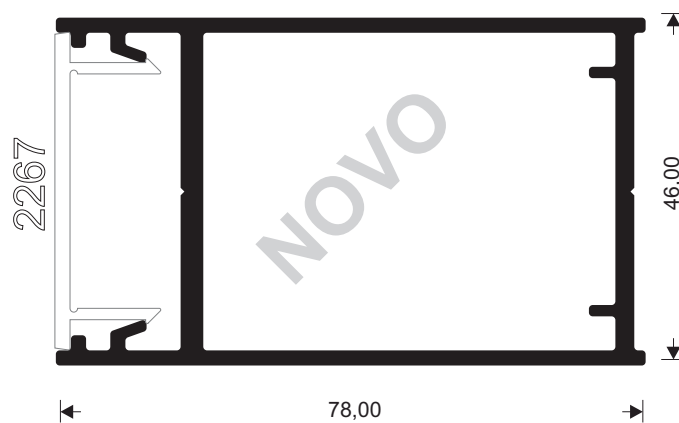
M 9419
W=397 gr/m

DEKORATIVNI PROFIL
DECORATIVE ARMATURE



2266

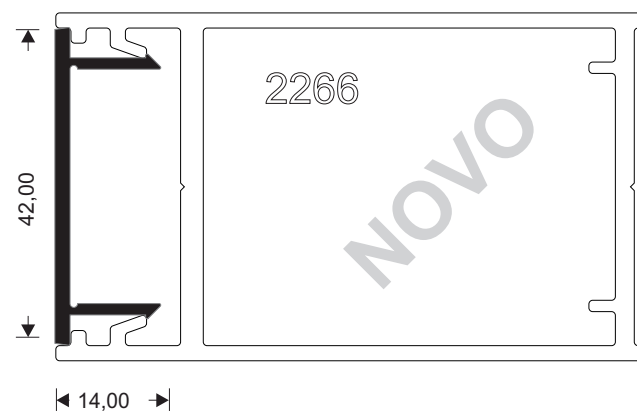
W = 1569 gr/m OJAČANJE ZA BHT4645
SUPPLEMENTARY PROFILE BHT4645



2267

W = 318 gr/m

POKLOPAC ZA 2266
CAP FOR 2266

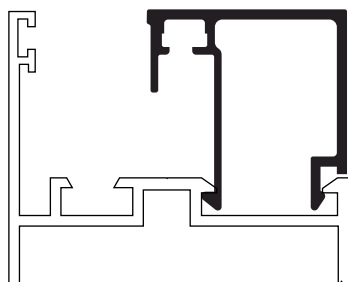


M 11453

LAJSNA ZA STAKLO
GLAZING BEAD

W=328 gr/m

← 16 → → 26 →



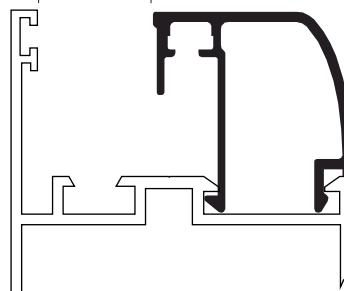
DEBLJINA ISPUNE / GLAZING TICKNESS: 8mm

M 11463

LAJSNA ZA STAKLO
GLAZING BEAD

W=311 gr/m

← 16 → → 26 →



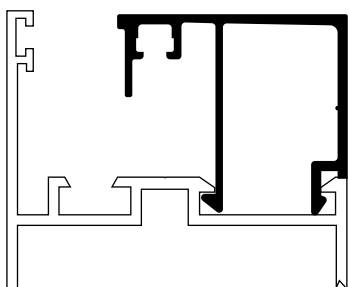
DEBLJINA ISPUNE / GLAZING TICKNESS: 8mm

M 11454

LAJSNA ZA STAKLO
GLAZING BEAD

W=350 gr/m

← 12 → → 30 →



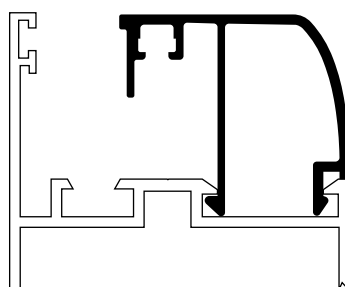
DEBLJINA ISPUNE / GLAZING TICKNESS: 4mm

M 11464

LAJSNA ZA STAKLO
GLAZING BEAD

W=332 gr/m

← 12 → → 30 →



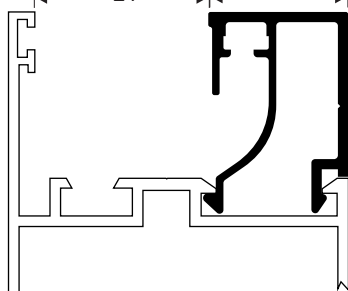
DEBLJINA ISPUNE / GLAZING TICKNESS: 4mm

M 11451

LAJSNA ZA STAKLO
GLAZING BEAD

W = 307 gr/m

← 24 → → 18 →



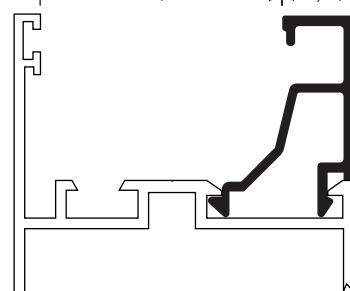
DEBLJINA ISPUNE / GLAZING TICKNESS: 16mm

M 9565

LAJSNA ZA STAKLO
GLAZING BEAD

W=254 gr/m

← 32,50 → → 9,5 →



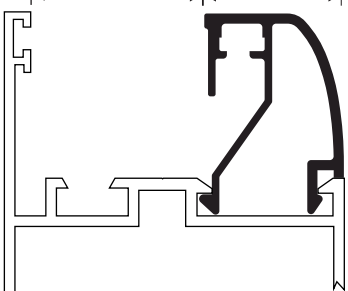
DEBLJINA ISPUNE / GLAZING TICKNESS: 24mm

M 11461

LAJSNA ZA STAKLO
GLAZING BEAD

W=286 gr/m

← 24 → → 18 →



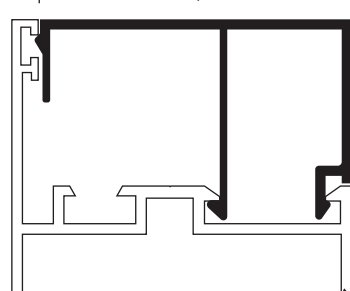
DEBLJINA ISPUNE / GLAZING TICKNESS: 16mm

M 9314

LAJSNA ZA ZATVARANJE ŠTOKA
GLAZING BEAD

W=366 gr/m

← 42,00 →

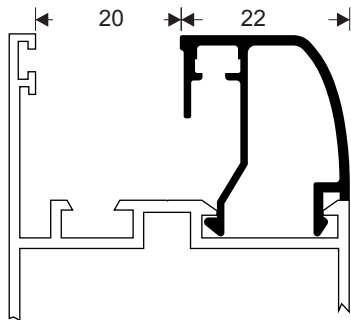


DEBLJINA ISPUNE / GLAZING TICKNESS: 0mm

M 11462

LAJSNA ZA STAKLO
GLAZING BEAD

W = 297 gr/m

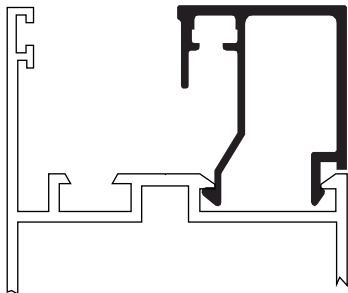


DEBLJINA ISPUNE / GLAZING THICKNESS: 12mm

M 11452

LAJSNA ZA STAKLO
GLAZING BEAD

W = 313 gr/m

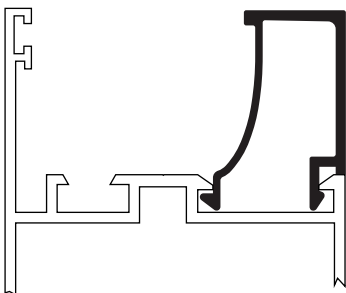


DEBLJINA ISPUNE / GLAZING THICKNESS: 12mm

M 9312

LAJSNA ZA STAKLO
GLAZING BEAD

W=241 gr/m

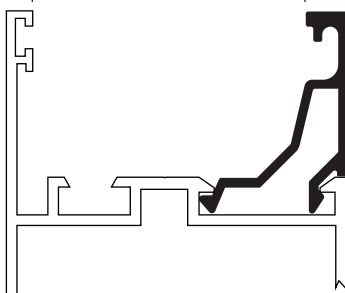


DEBLJINA ISPUNE / GLAZING THICKNESS: 20mm

M 946

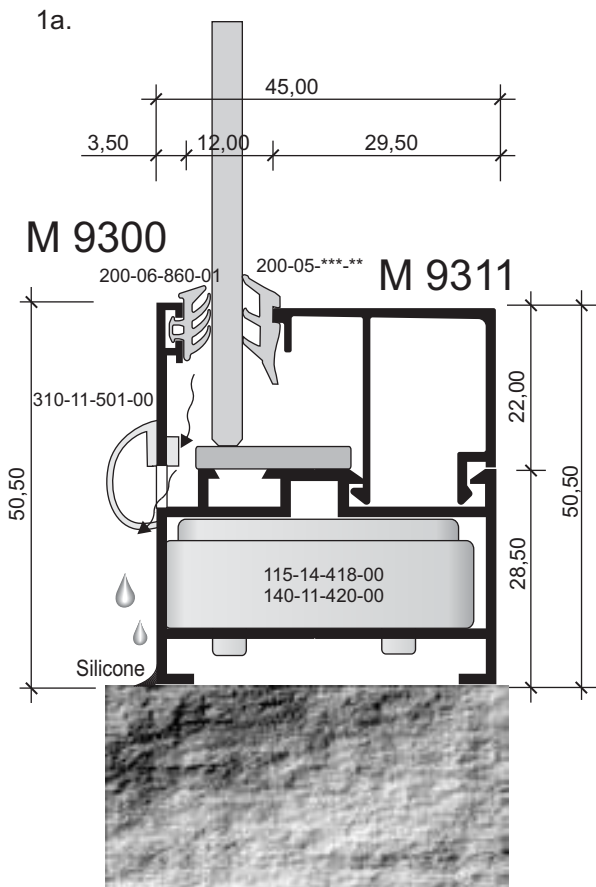
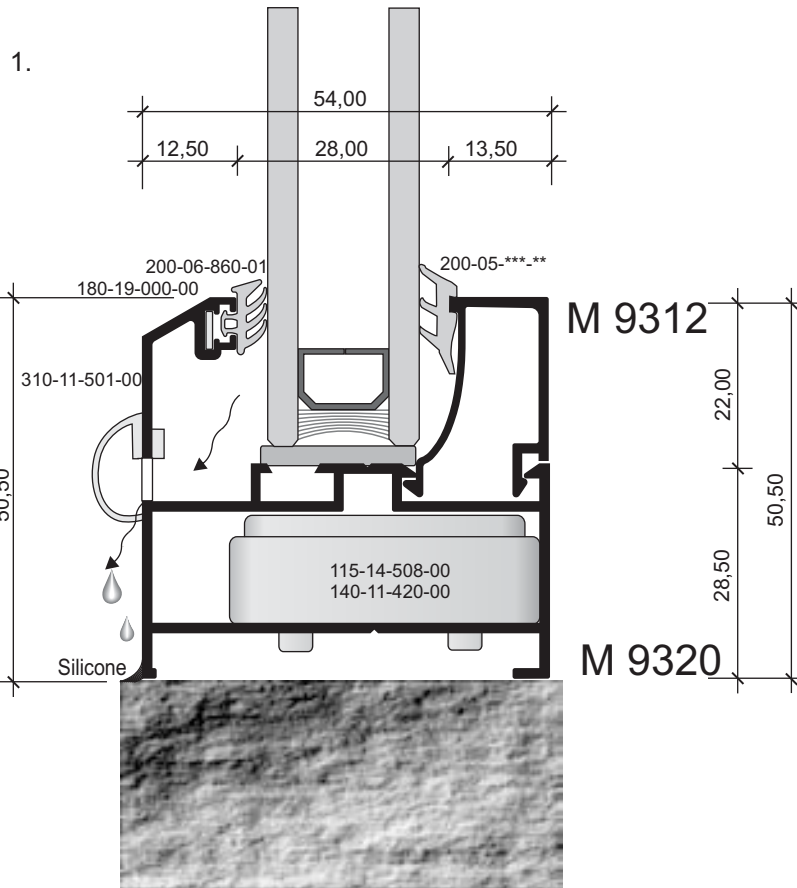
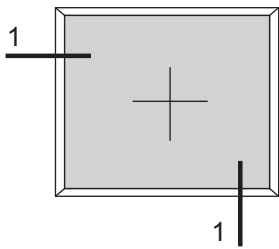
LAJSNA ZA STAKLO
GLAZING BEAD

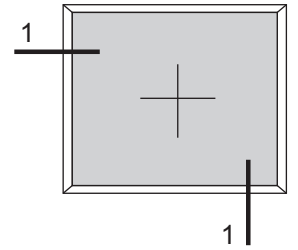
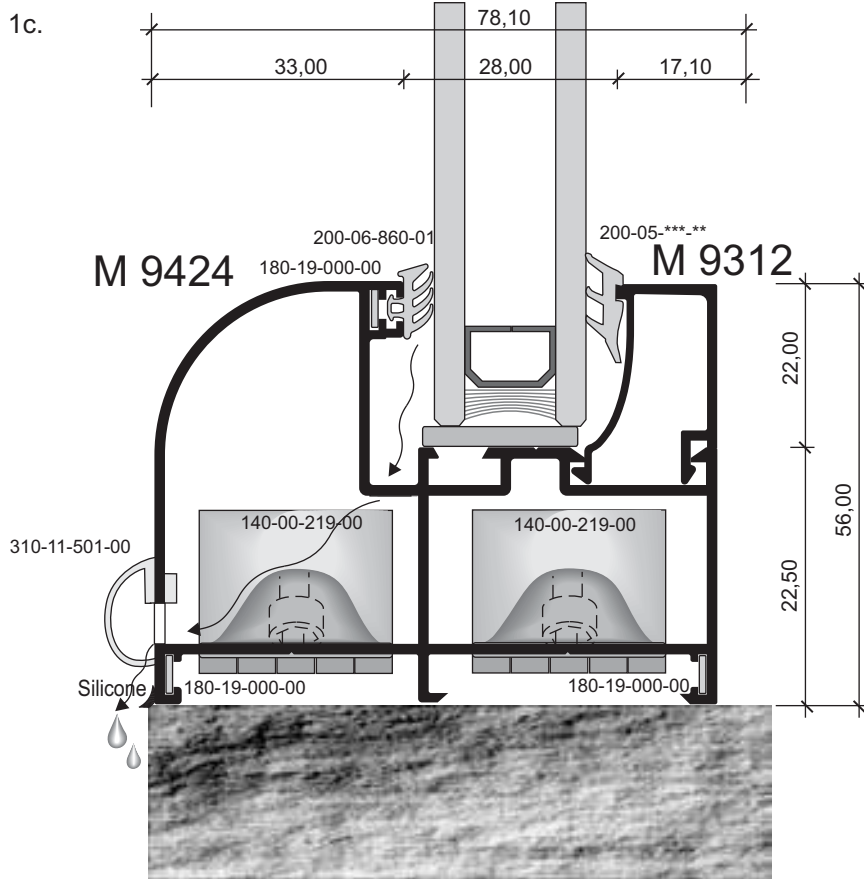
W=232 gr/m



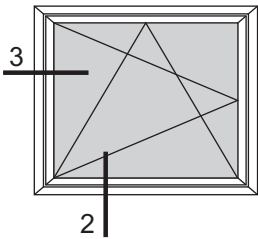
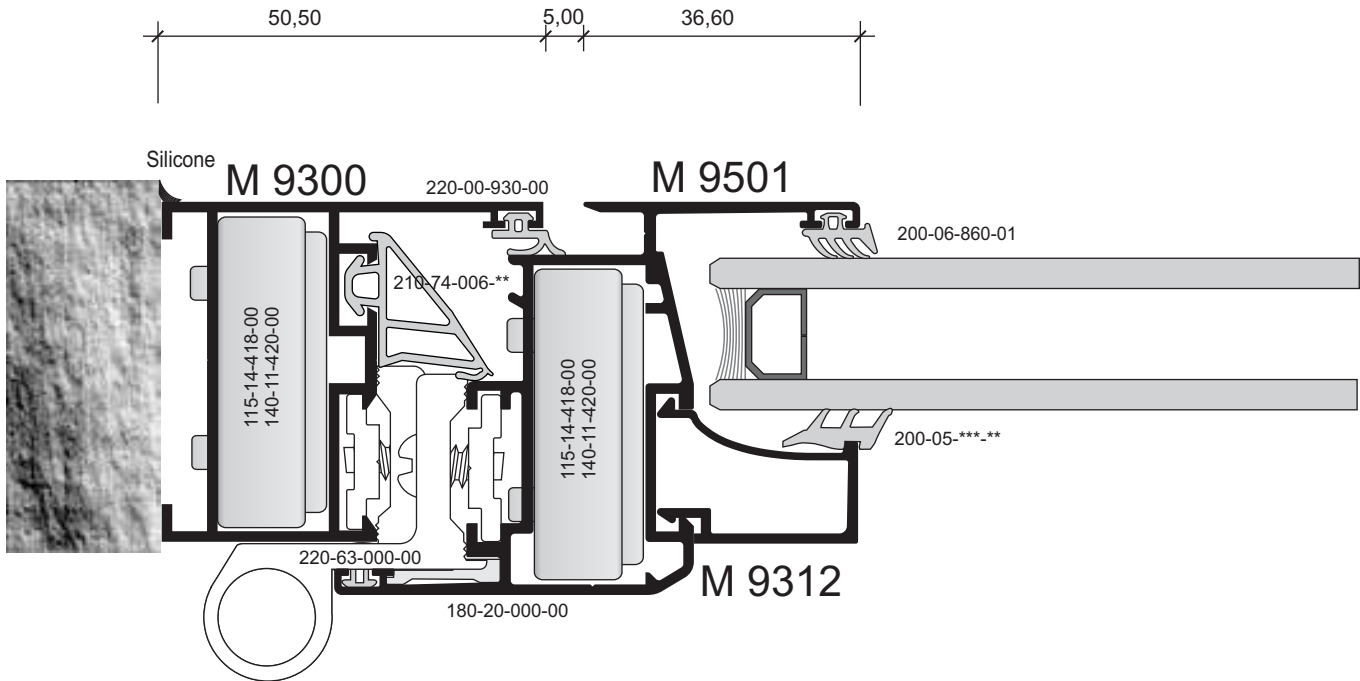
DEBLJINA ISPUNE / GLAZING THICKNESS: 28mm

Presjeci Sections

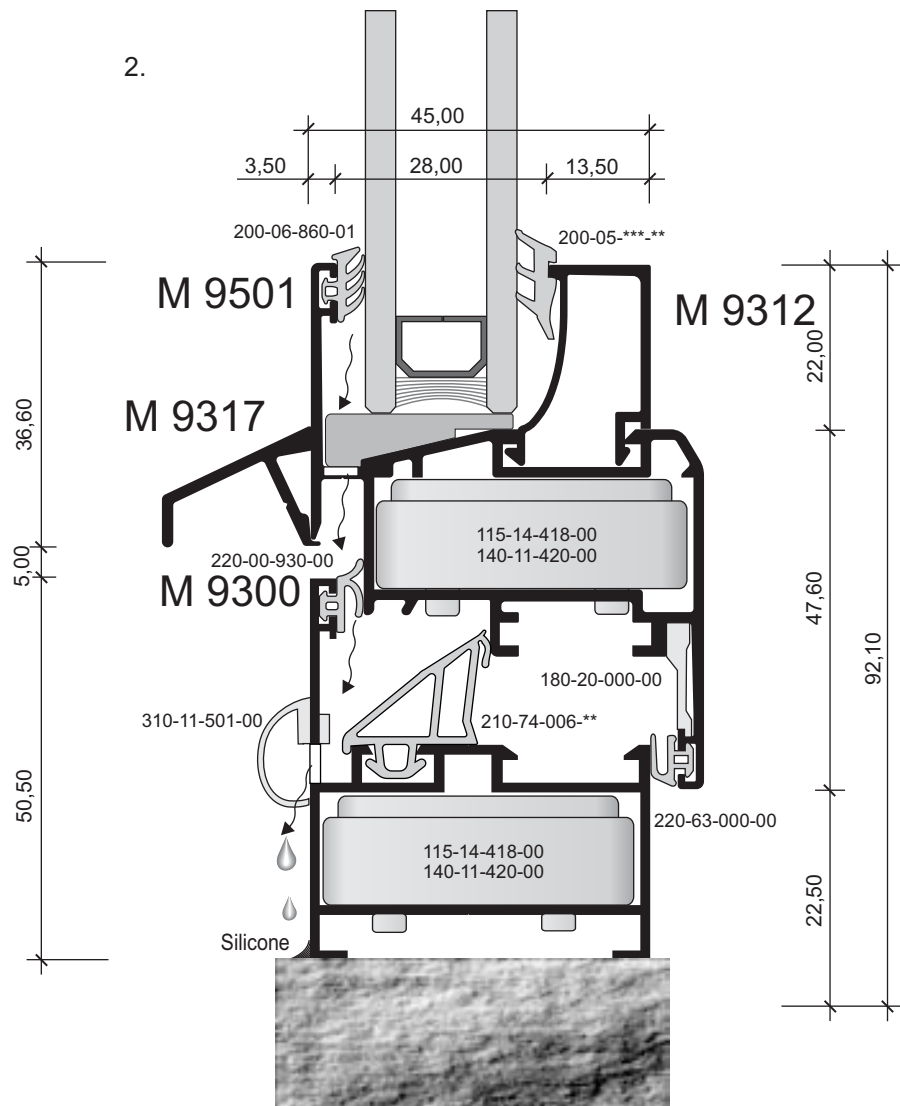


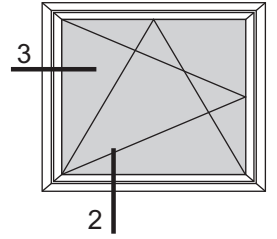
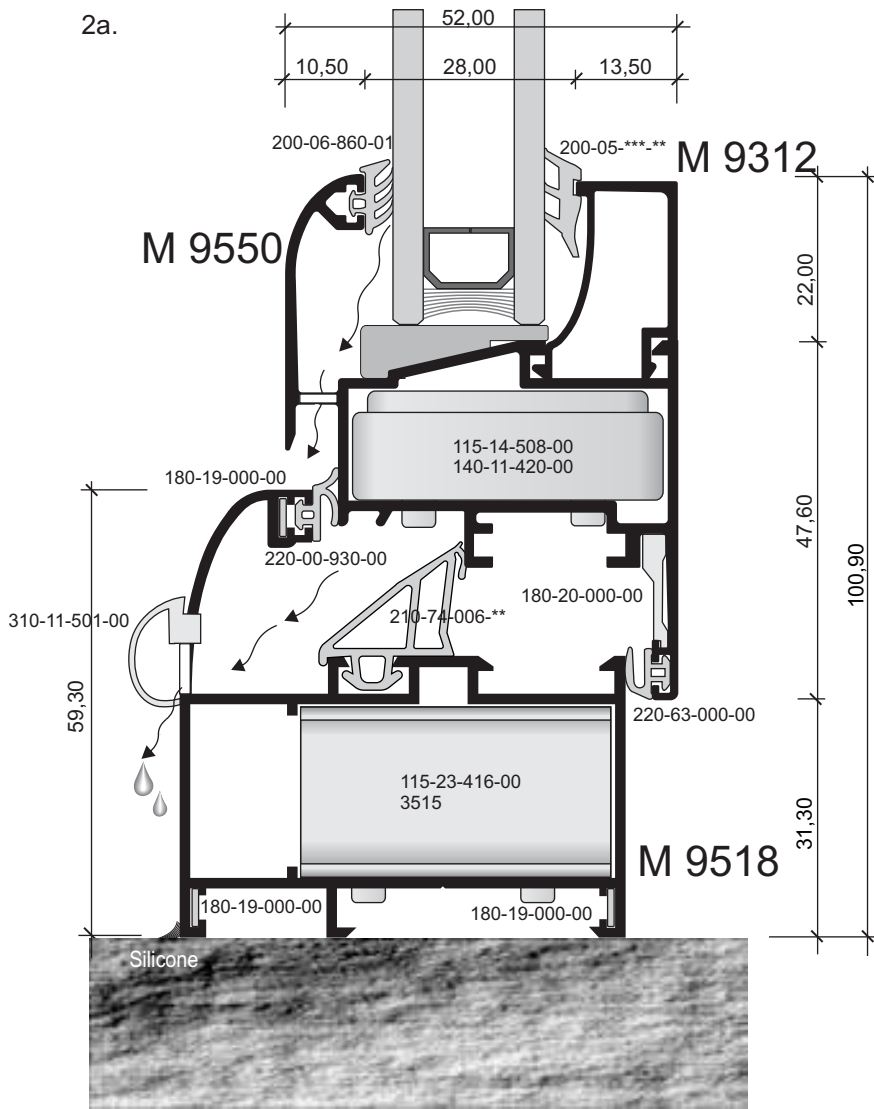


3.

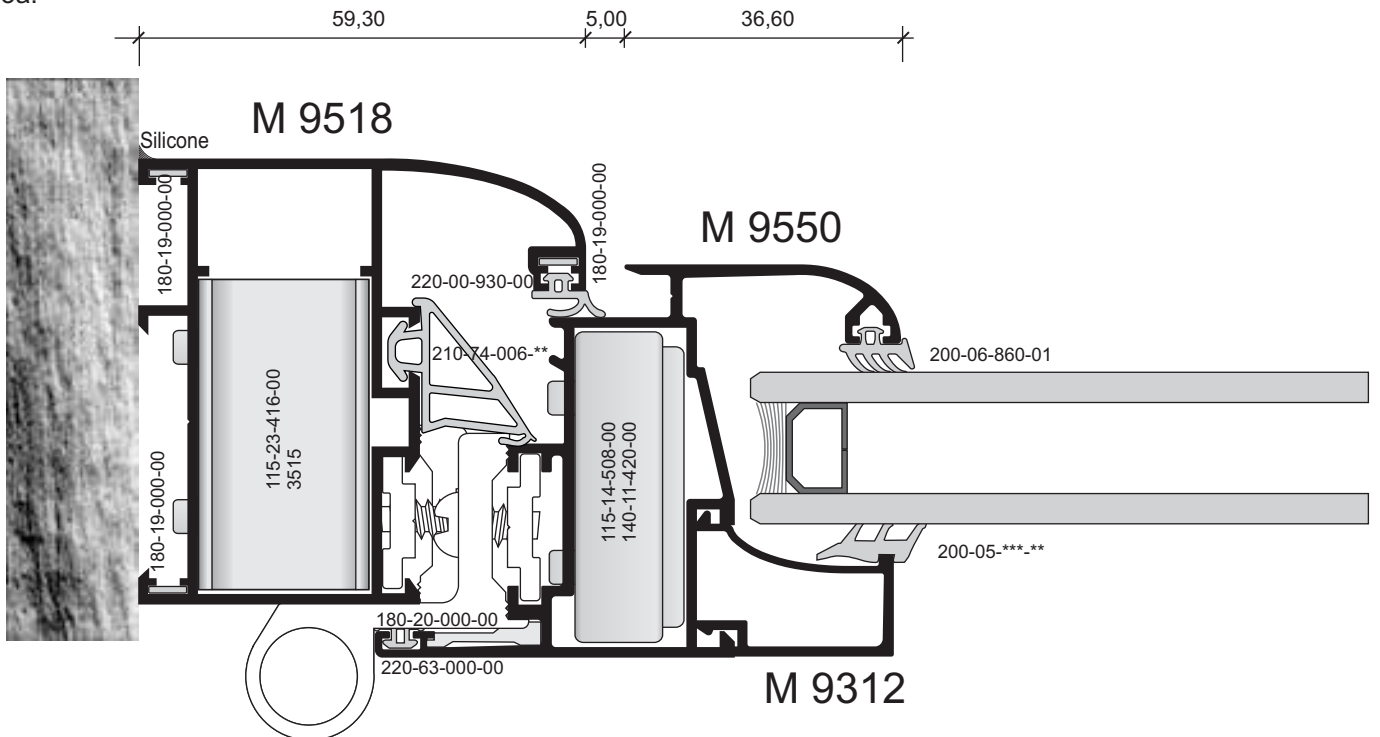


2.

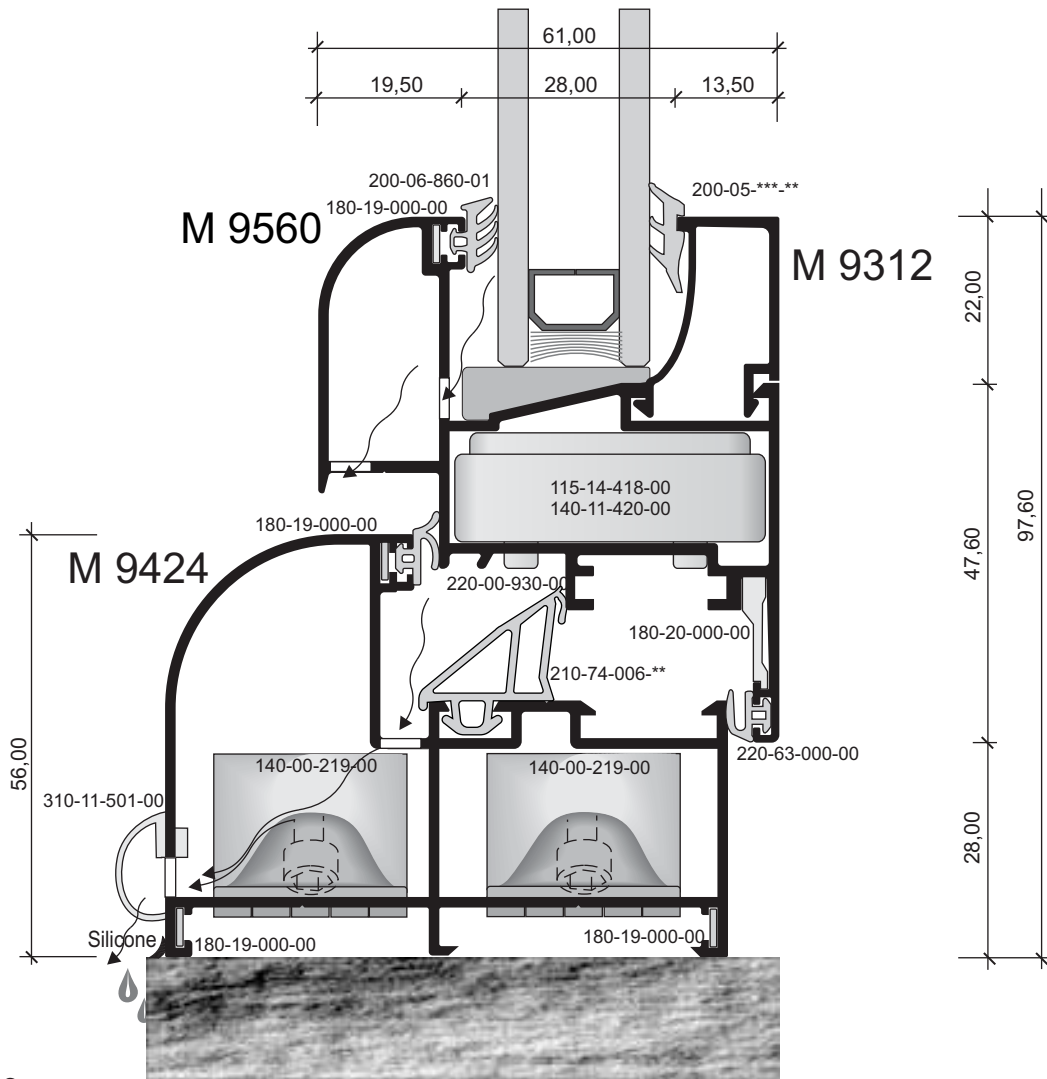




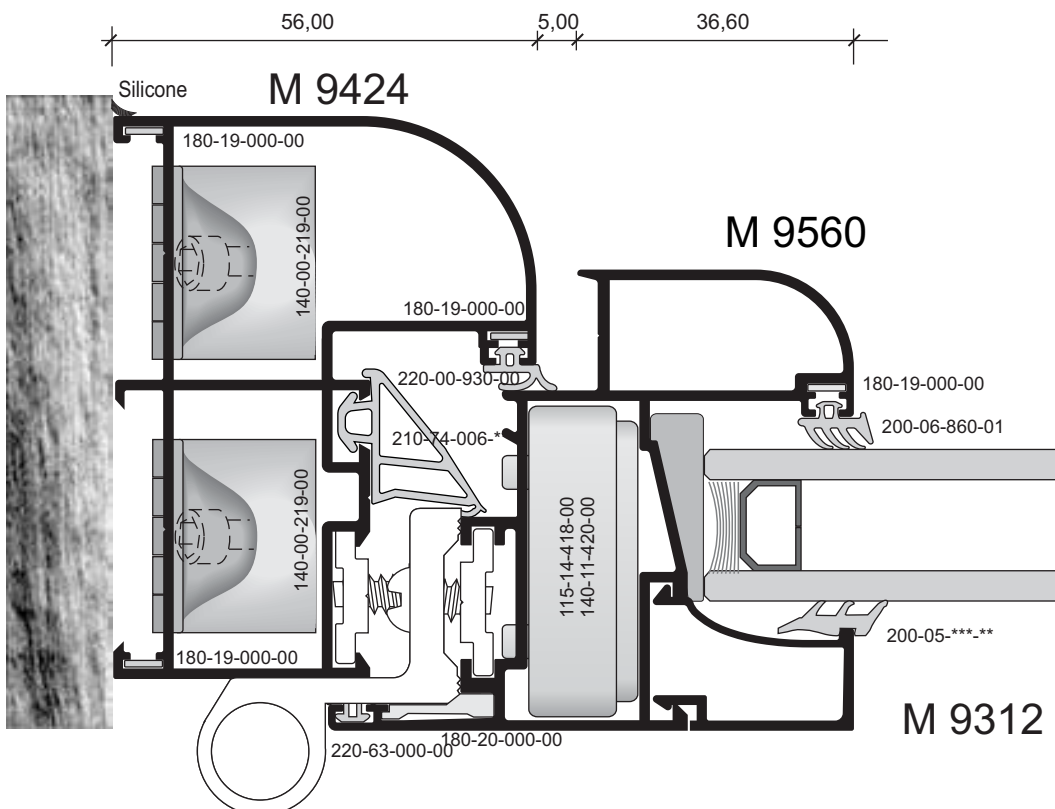
3a.



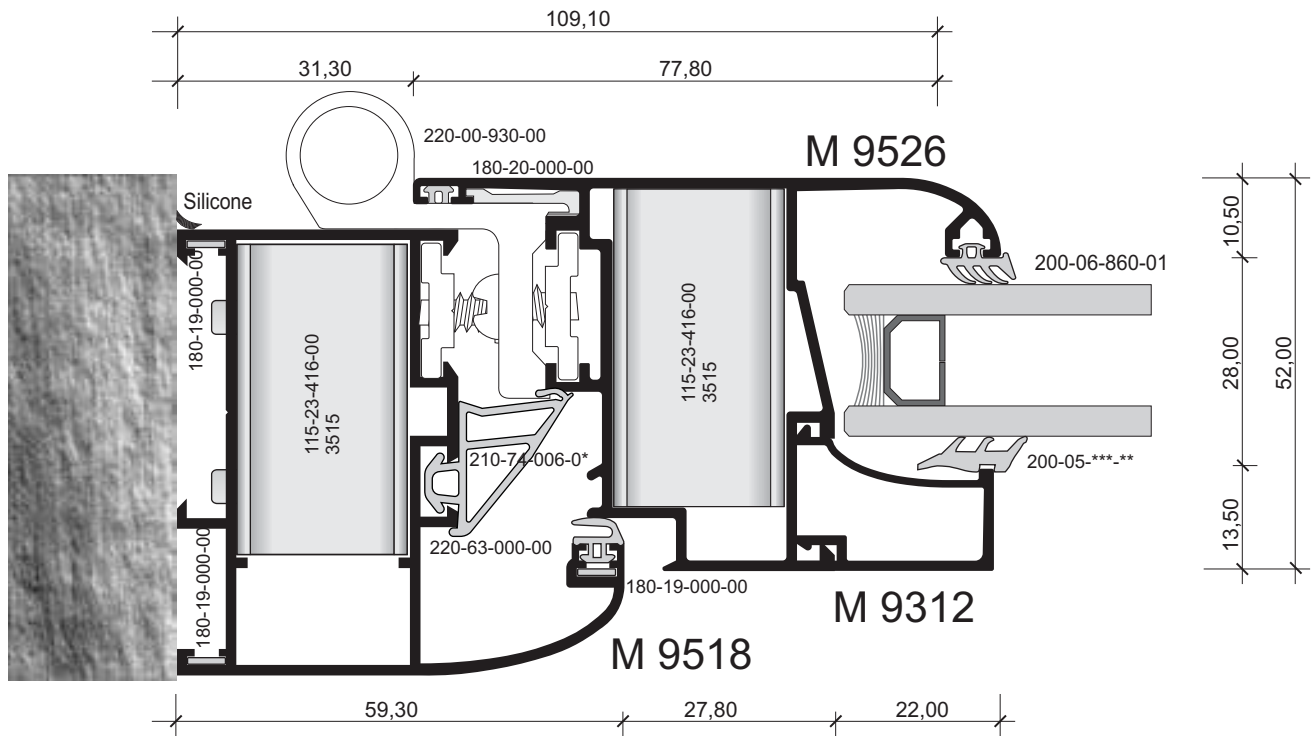
2c.



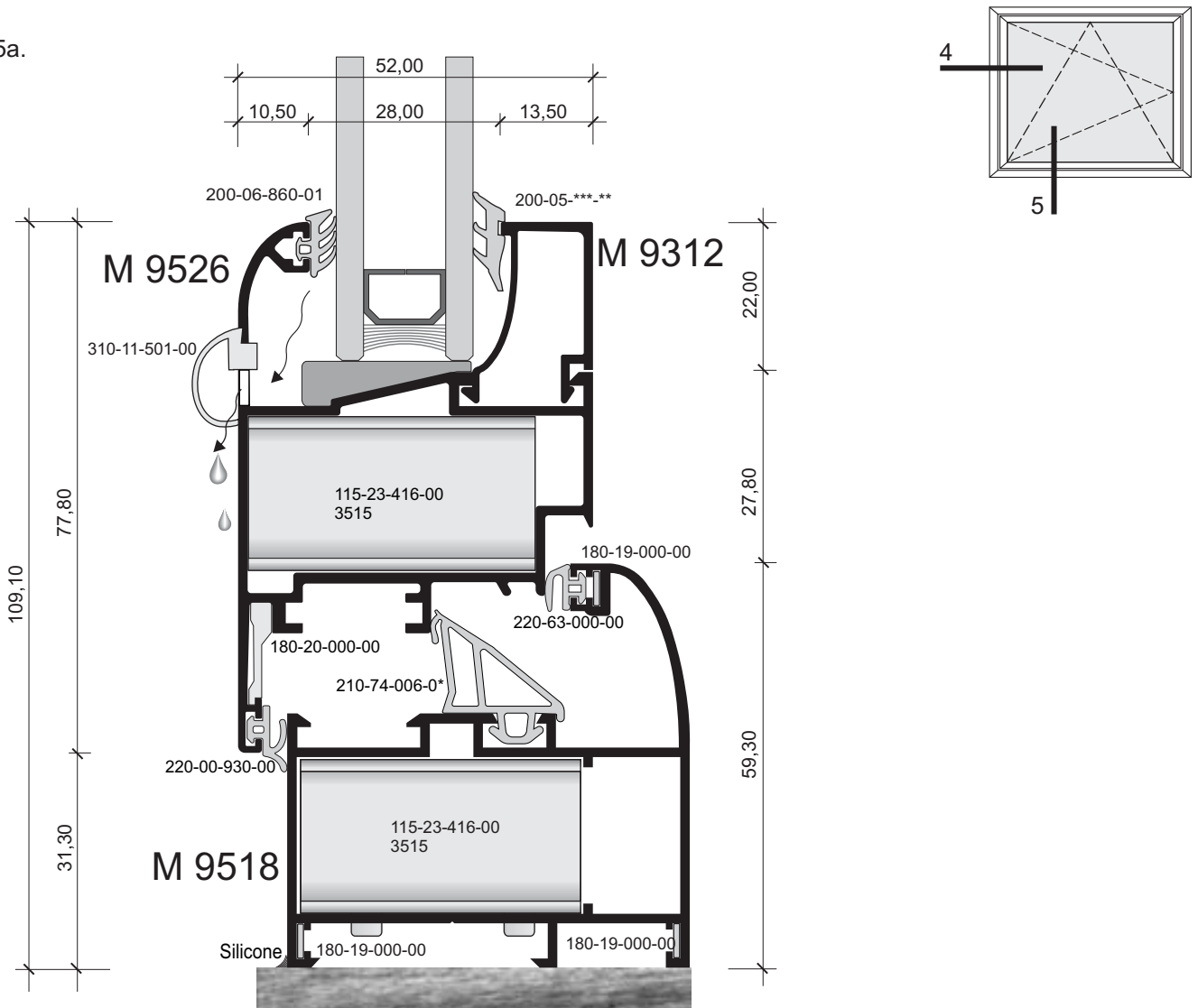
3c.

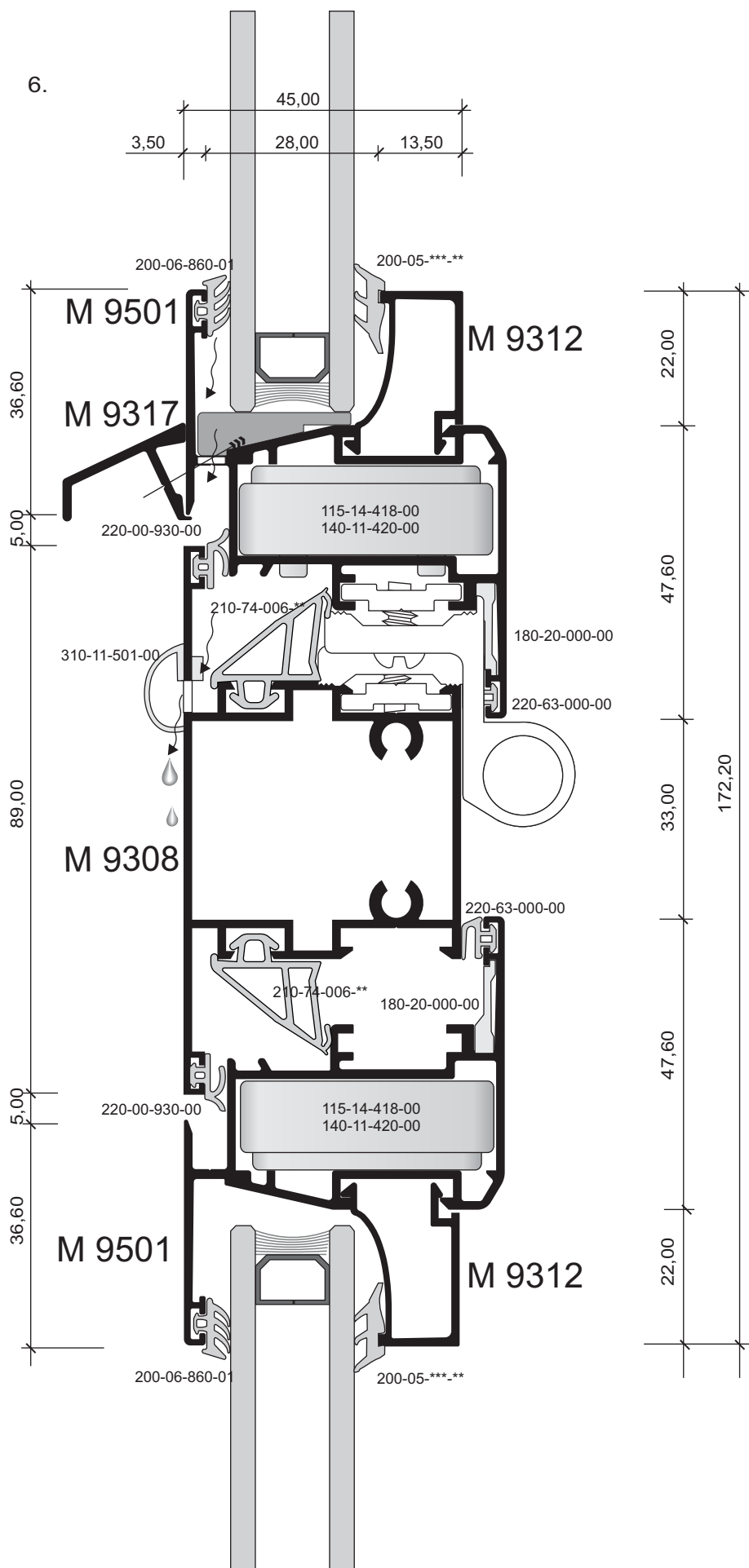


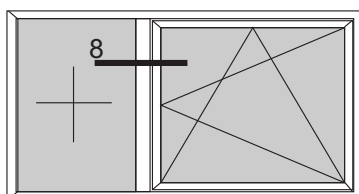
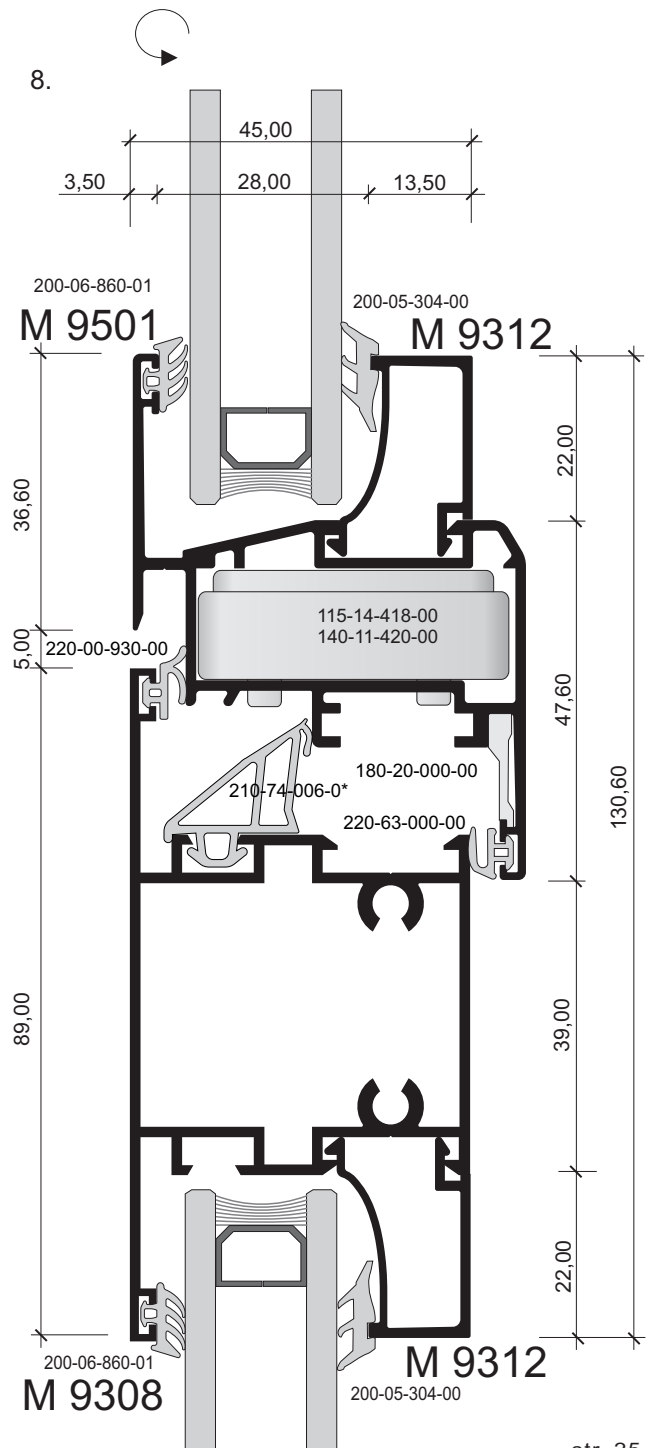
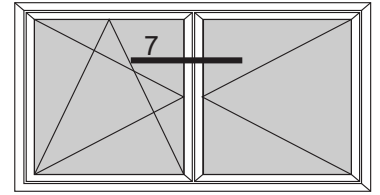
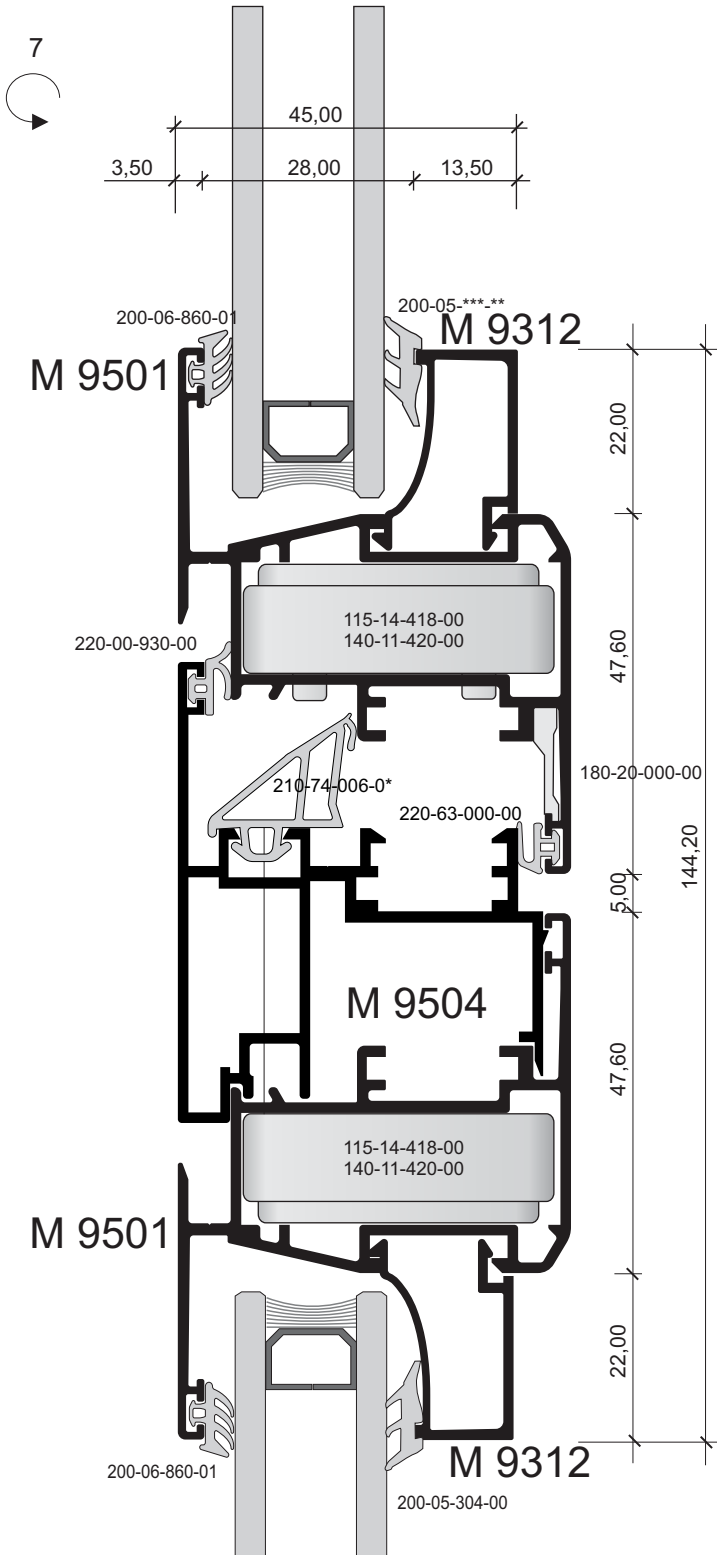
4a.

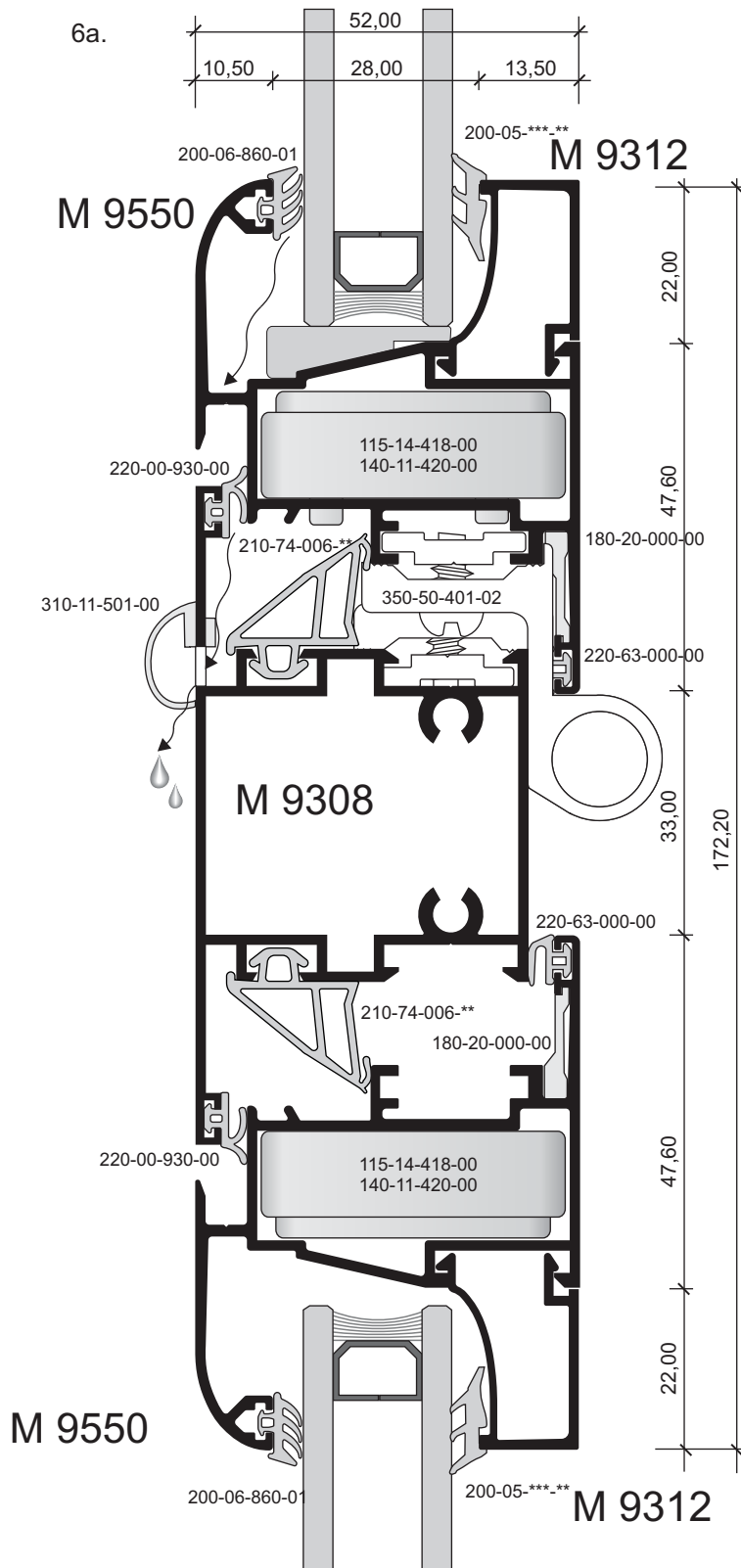
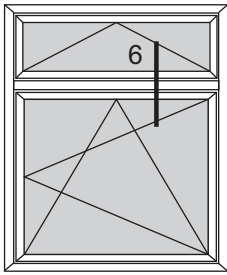


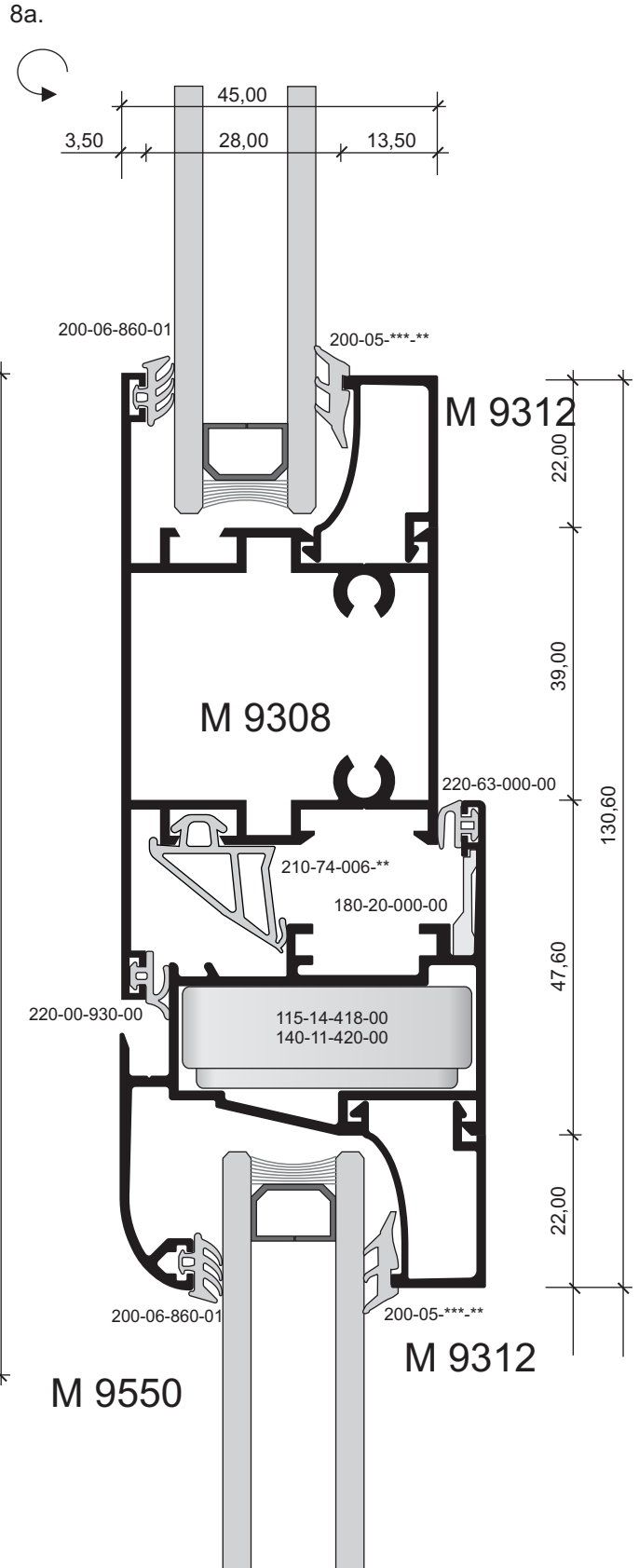
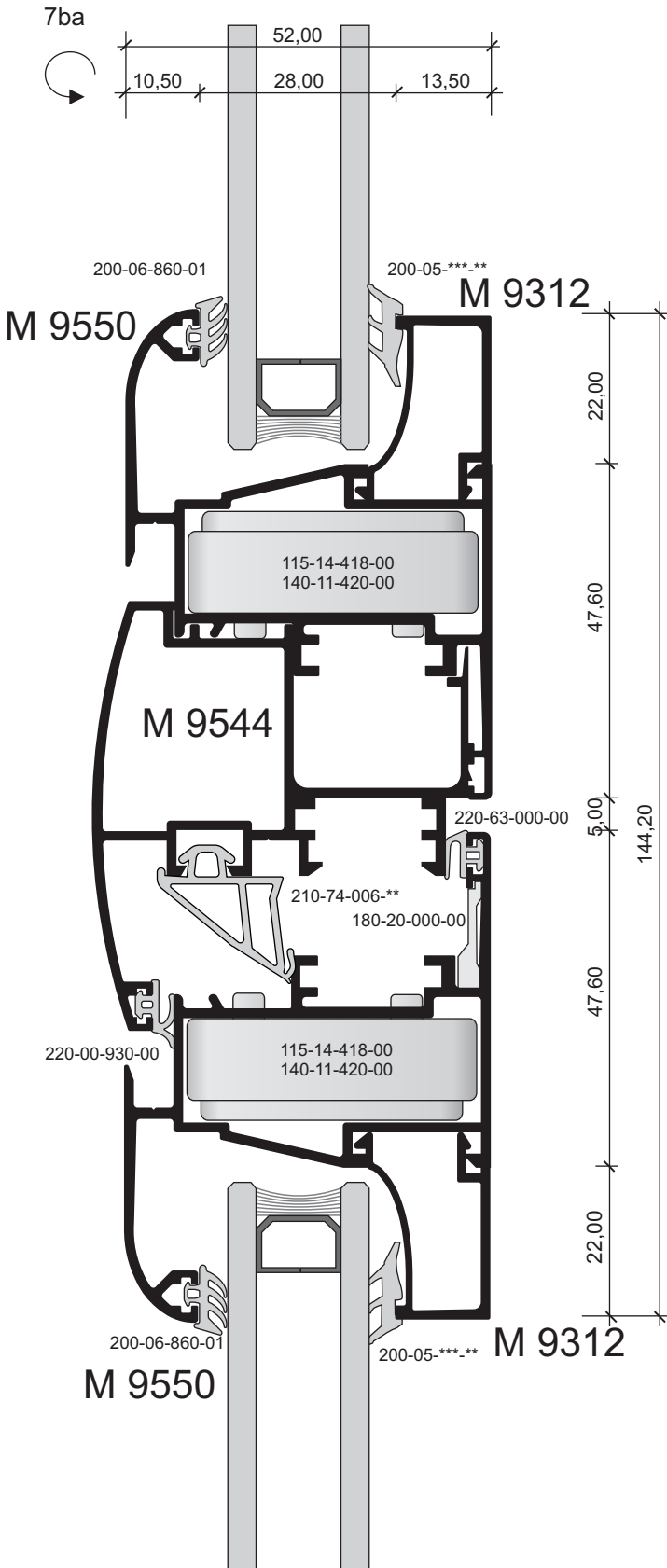
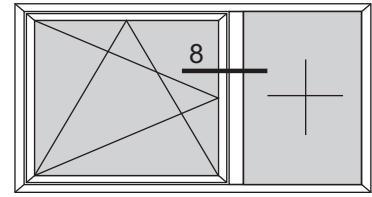
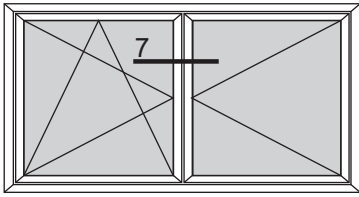
5a.

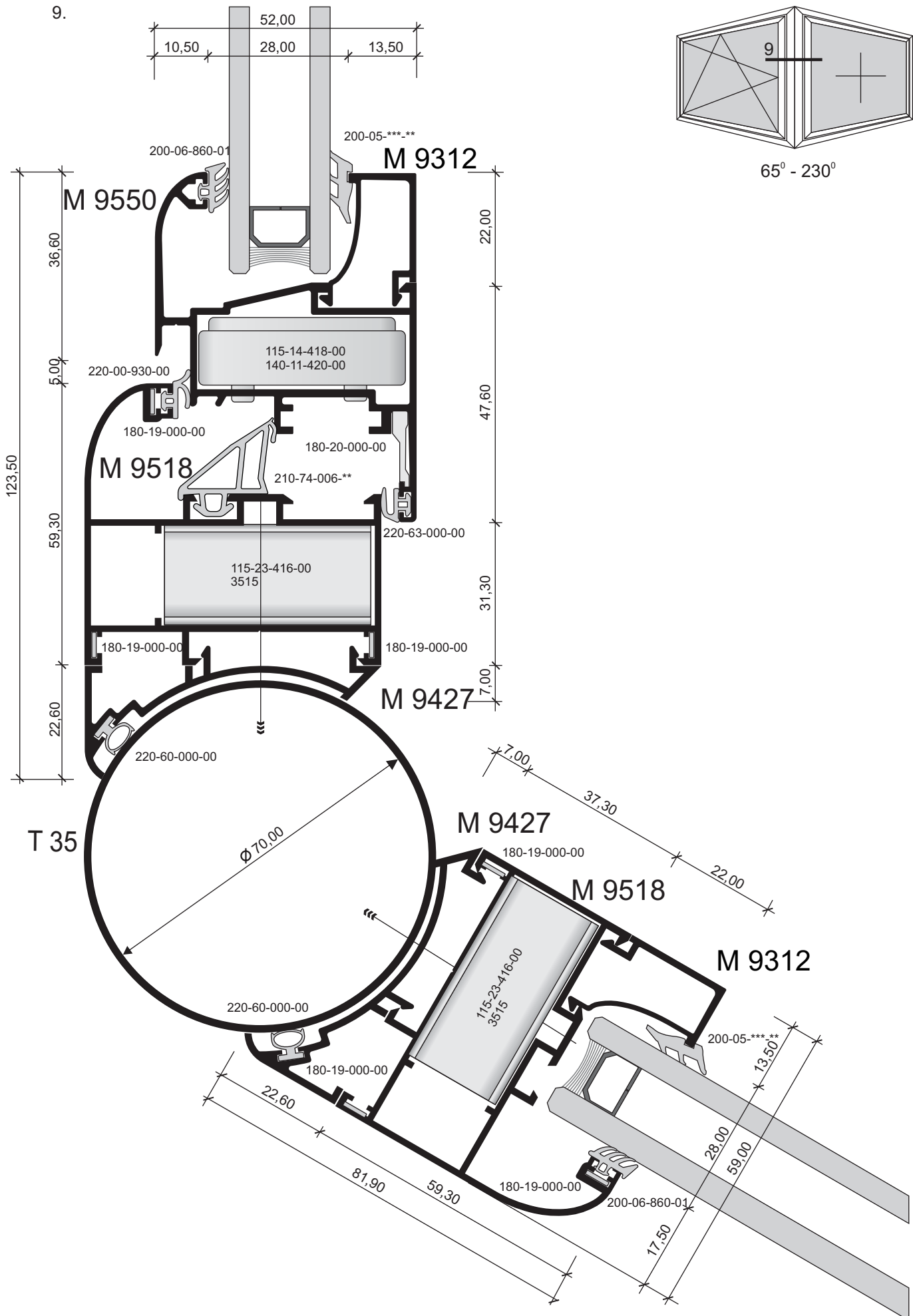


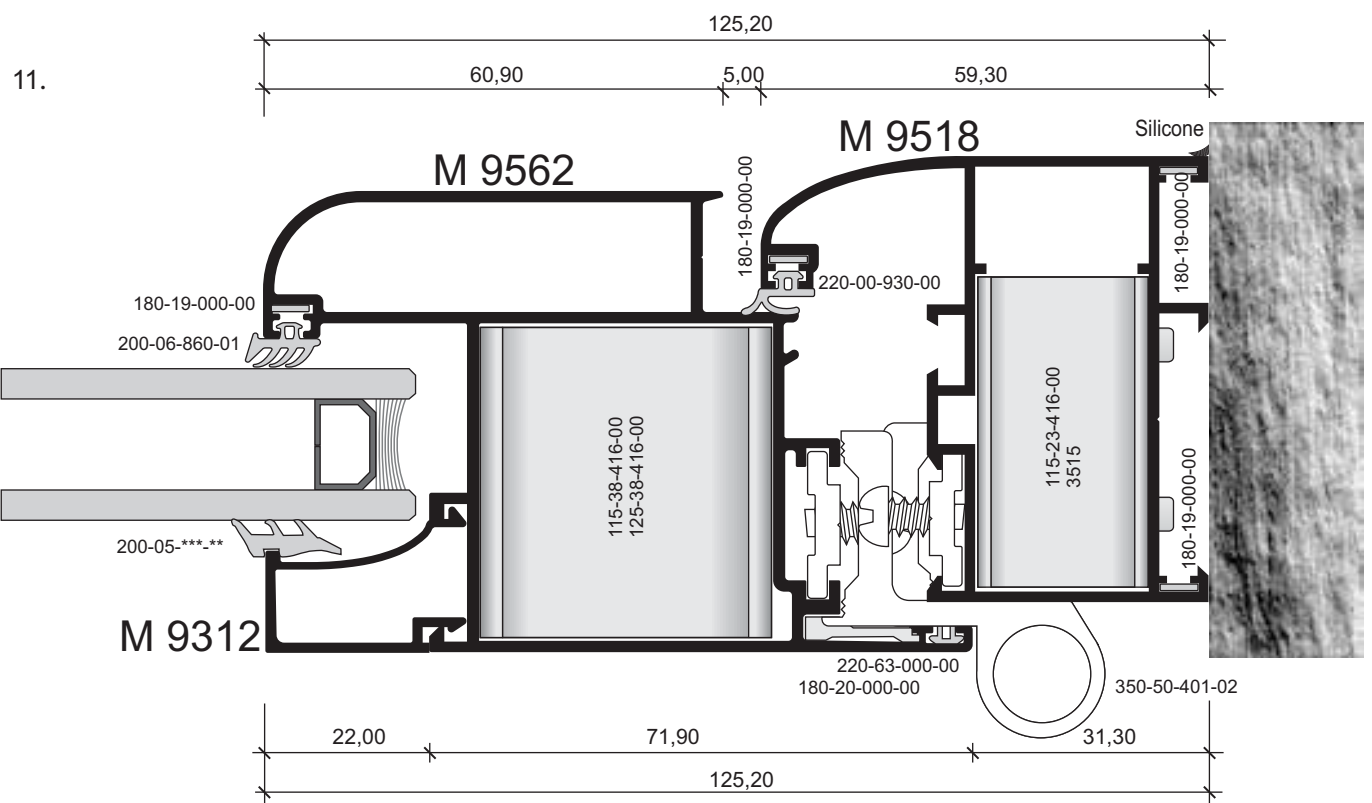
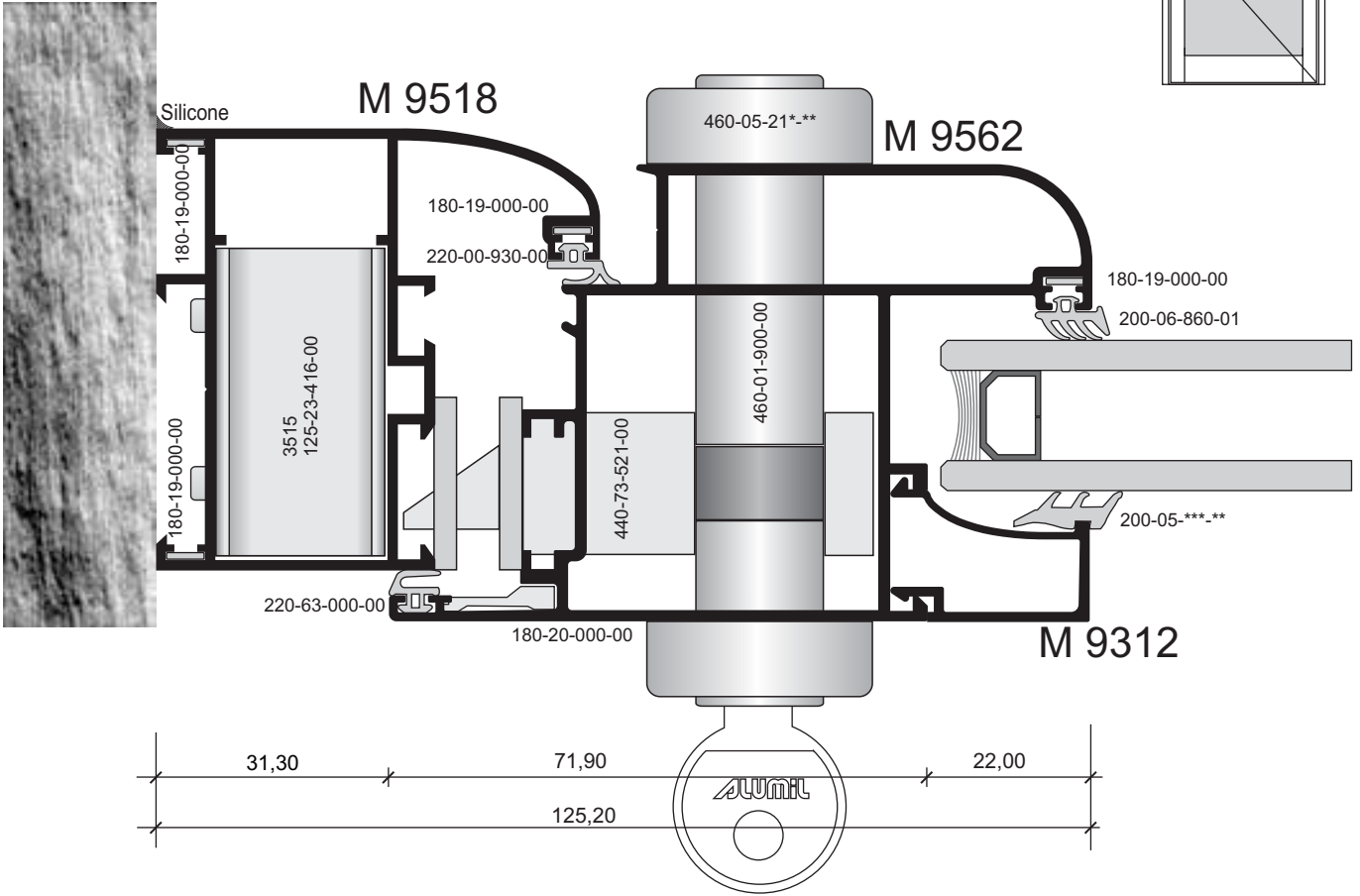
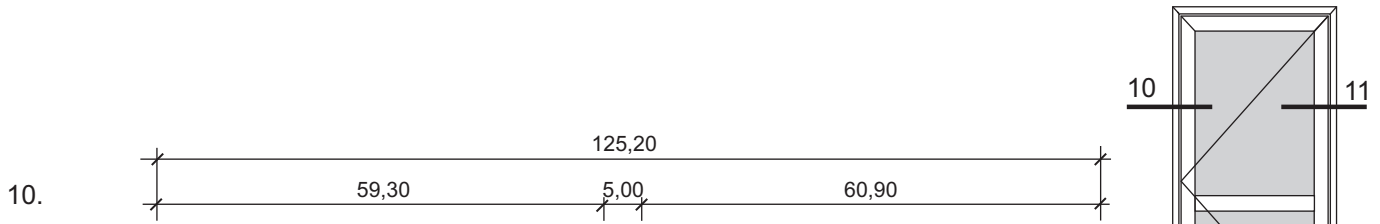


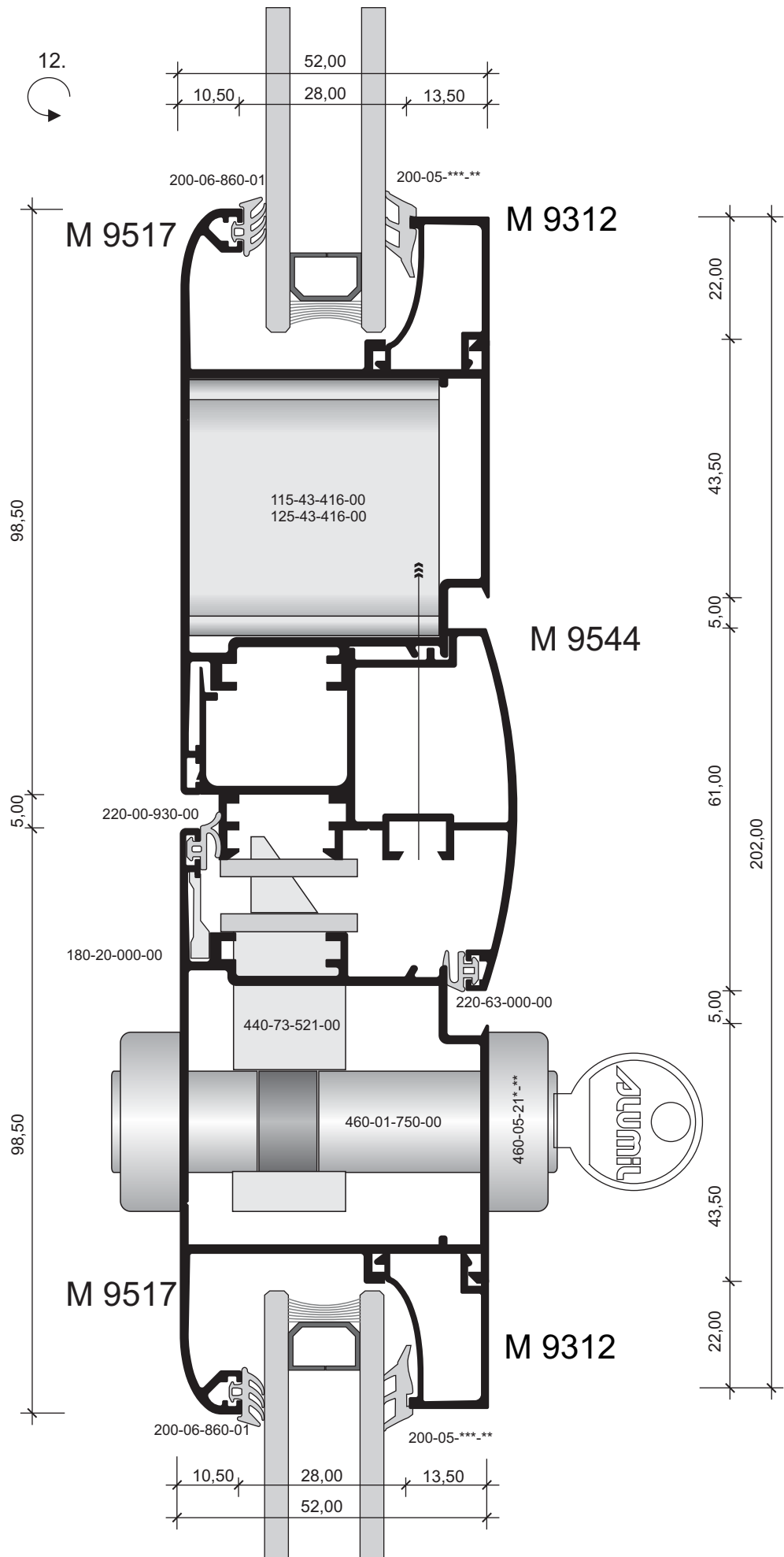
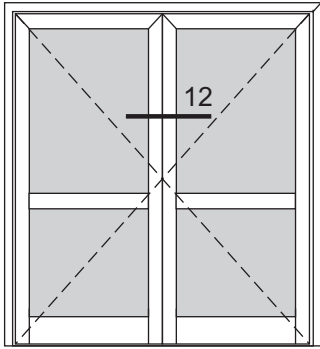




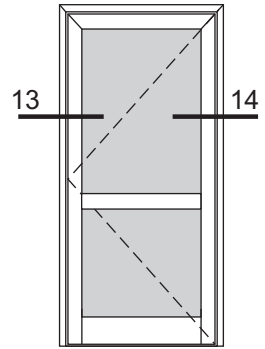
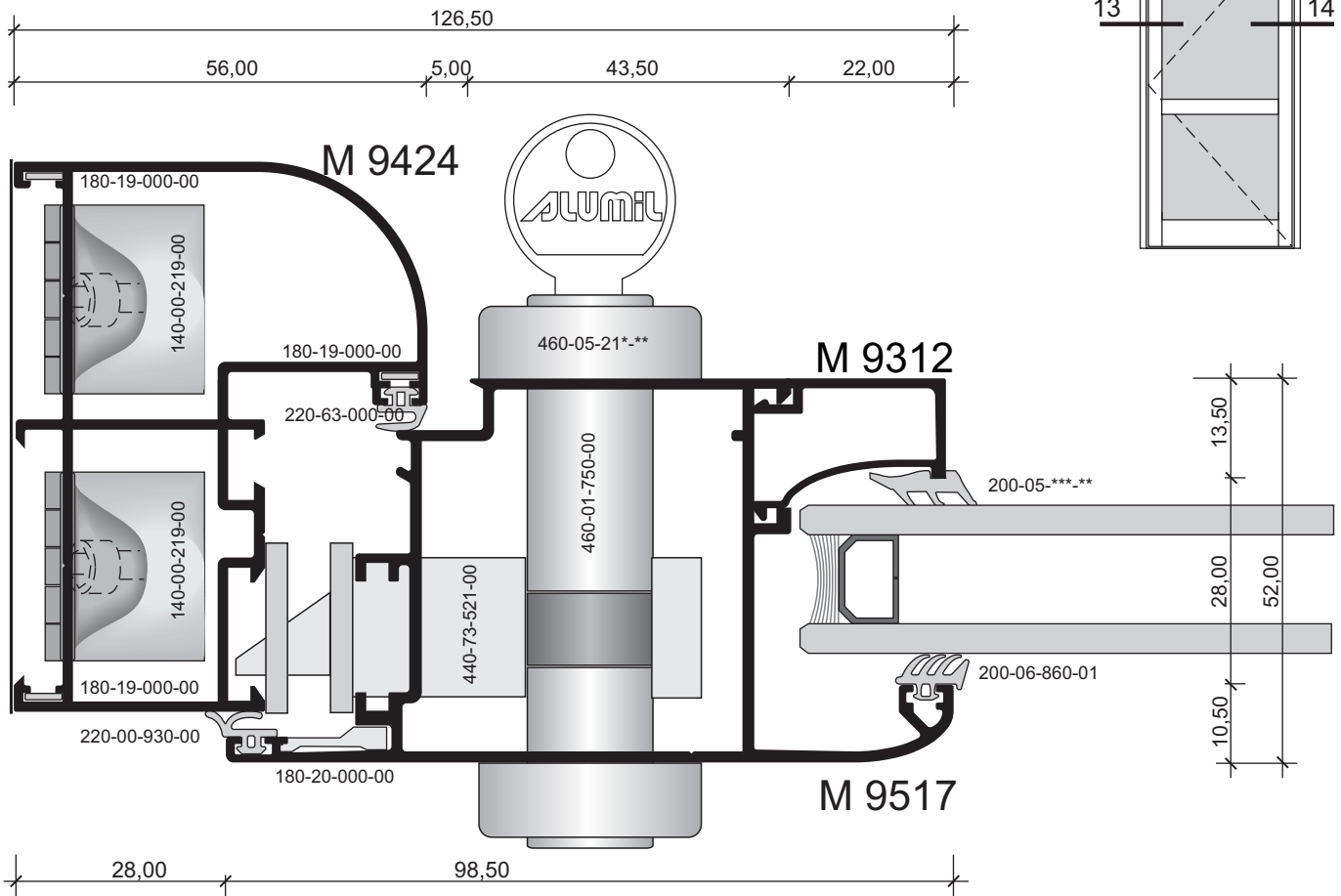




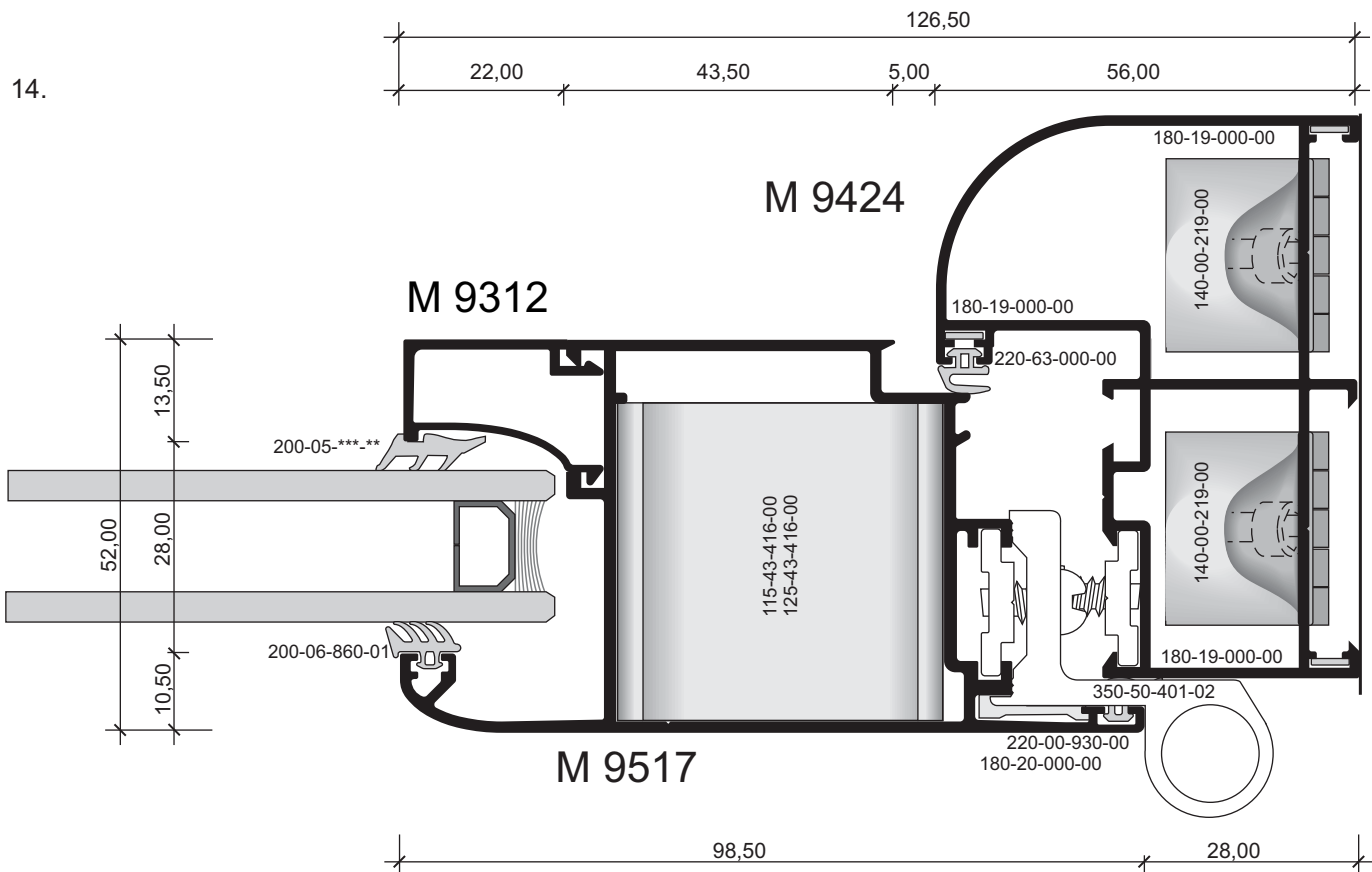




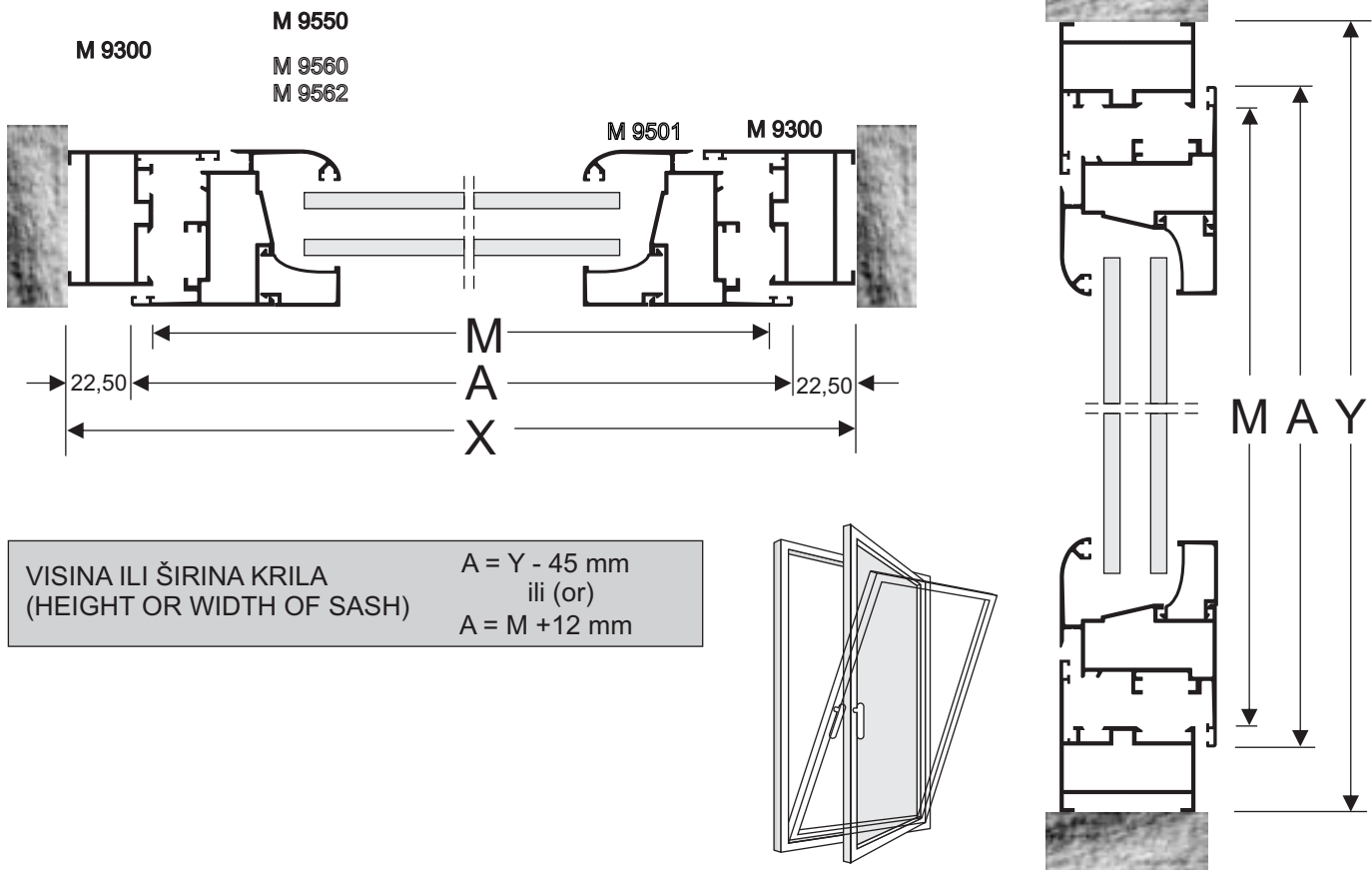
13.



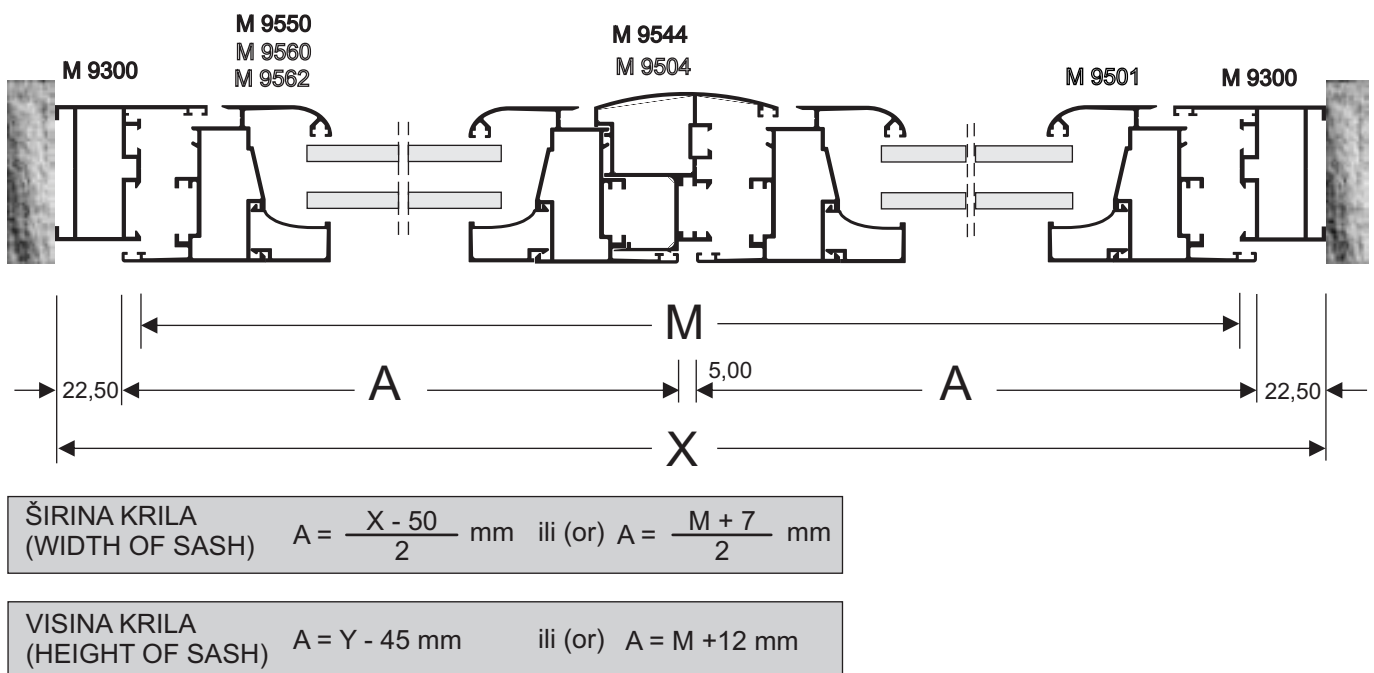
14.











JEDNOKRILNI PROZOR / OKRETNO-NAGIBNI
 SINGLE LEAF CASEMENT/TILT-TURN WINDOW



DVOKRILNI PROZOR / OKRETNO-NAGIBNI
 DOUBLE LEAF CASEMENT/TILT-TURN WINDOW












Pribori i okovi Accessories

115-14-***-**		<p>KAT.BR.: 115-14-***-** Stock No : ART. No: 115-14-***-**</p> <p>OPIS / DESCRIPTION : KRUTA VEZA / PRESS CORNER</p> <p>MATERIJAL / MATERIAL :ALUMINIJUM / ALUMINIUM</p> <p>KAT.BR.: 115-14-418-00, 115-14-508-00 ART. No:</p>
115-23-***-**		<p>KAT.BR.: 115-23-***-** Stock No : ART. No: 115-23-***-**</p> <p>OPIS / DESCRIPTION : KRUTA VEZA / PRESS CORNER</p> <p>MATERIJAL / MATERIAL :ALUMINIJUM / ALUMINIUM</p> <p>KAT.BR.: 115-23-416-00, 115-23-121-00 ART. No:</p>
115-33-270-00		<p>KAT.BR.: 115-33-270-00 Stock No : ART. No: 115-33-270-00</p> <p>OPIS / DESCRIPTION : KRUTA VEZA / PRESS CORNER</p> <p>MATERIJAL / MATERIAL ALUMINIJUM / ALUMINIUM</p> <p>BOJA / COLOR : SIROVO /MILL FINISH</p>
115-38-416-00		<p>KAT.BR.: 115-38-416-00 Stock No : ART. No: 115-38-416-00</p> <p>OPIS / DESCRIPTION : KRUTA VEZA / PRESS CORNER</p> <p>MATERIJAL / MATERIAL ALUMINIJUM / ALUMINIUM</p> <p>BOJA / COLOR : SIROVO /MILL FINISH</p>
115-43-416-00		<p>KAT.BR.: 115-43-416-00 Stock No : ART. No: 115-43-416-00</p> <p>OPIS / DESCRIPTION : KRUTA VEZA / PRESS CORNER</p> <p>MATERIJAL / MATERIAL ALUMINIJUM / ALUMINIUM</p> <p>BOJA / COLOR : SIROVO / MILL FINISH</p>
125-23-383-00		<p>KAT.BR.: 125-23-383-00 Stock No : ART. No: 125-23-383-00</p> <p>OPIS / DESCRIPTION : RASTAVLJIVA VEZA / SCREW CORNER</p> <p>MATERIJAL / MATERIAL :ALUMINIJUM / ALUMINIUM</p> <p>KAT.BR.: ART. No:</p>
125-33-270-00		<p>KAT.BR.: 125-33-270-00 Stock No : ART. No: 125-33-270-00</p> <p>OPIS / DESCRIPTION : RASTAVLJIVA VEZA / SCREW CORNER</p> <p>MATERIJAL / MATERIAL :ALUMINIJUM / ALUMINIUM</p> <p>KAT.BR.: ART. No:</p>
125-38-416-00		<p>KAT.BR.: 125-38-416-00 Stock No : ART. No: 125-38-416-00</p> <p>OPIS / DESCRIPTION : RASTAVLJIVA VEZA / SCREW CORNER</p> <p>MATERIJAL / MATERIAL :ALUMINIJUM / ALUMINIUM</p> <p>BOJA / COLOR : SIROVO / MILL FINISH</p>

<p>125-43-416-00</p> 	<p>KAT.BR. / ART. No: 125-43-416-00 Stock No :</p> <p>OPIS / DESCRIPTION : RASTAVLJIVA VEZA / SCREW CORNER</p> <p>MATERIJAL / MATERIAL : ALUMINIJUM / ALUMINIUM</p> <p>BOJA / COLOR : SIROVO / MILL FINISH</p>
<p>140-00-219-00</p> 	<p>KAT.BR. / ART. No: 140-00-219-00 Stock No :</p> <p>OPIS / DESCRIPTION : RASTAVLJIVA VEZA / SCREW CORNER</p> <p>MATERIJAL / MATERIAL : ČELIK / STEEL</p> <p>BOJA / COLOR :</p>
<p>140-11-420-00</p> 	<p>KAT.BR. / ART. No: 140-11-420-00 Stock No :</p> <p>OPIS / DESCRIPTION : RASTAVLJIVA VEZA / SCREW CORNER</p> <p>MATERIJAL / MATERIAL : LIVENI AL / DIE-CAST AL PAKOVANJE / PACKAGE :</p> <p>BOJA / COLOR : SIROVO / MILL DIMENZIJE / DIMENSION :</p>
<p>140-38-420-00</p> 	<p>KAT.BR. / ART. No: 140-38-420-00 Stock No :</p> <p>OPIS / DESCRIPTION : RASTAVLJIVA VEZA / SCREW CORNER</p> <p>MATERIJAL / MATERIAL : LIVENI AL / DIE-CAST AL PAKOVANJE / PACKAGE :</p> <p>BOJA / COLOR : SIROVO / MILL DIMENZIJE / DIMENSION :</p>
<p>3515</p> 	<p>KAT.BR. / ART. No: 3515 Stock No :</p> <p>OPIS / DESCRIPTION : RASTAVLJIVA VEZA / SCREW CORNER</p> <p>MATERIJAL / MATERIAL : LIVENI AL / DIE-CAST AL PAKOVANJE / PACKAGE :</p> <p>BOJA / COLOR : SIROVO / MILL FINISH DIMENZIJE / DIMENSION : 22.6x41.3</p>
<p>2741</p> 	<p>KAT.BR. / ART. No: 2741 Stock No :</p> <p>OPIS / DESCRIPTION : RASTAVLJIVA VEZA / SCREW CORNER</p> <p>MATERIJAL / MATERIAL : LIVENI AL / DIE-CAST AL PAKOVANJE / PACKAGE :</p> <p>BOJA / COLOR : SIROVO / MILL FINISH DIMENZIJE / DIMENSION : 32.7x26.4</p>
<p>160-11-2xx-00</p> 	<p>KAT.BR. / ART. No: 160-11-2xx-00 Stock No :</p> <p>OPIS / DESCRIPTION : KRUTA VEZA ZA "T" PREČKU / T - CONNECTOR</p> <p>MATERIJAL / MATERIAL : ALUMINIJUM / ALUMINIUM PAKOVANJE / PACKAGE :</p> <p>BOJA / COLOR : SIROVO / MILL FINISH OZNAKA / CODE : 160-11-211-00 160-11-233-00</p>
<p>160-33-001-00</p> 	<p>KAT.BR. / ART. No: 160-33-001-00 Stock No :</p> <p>OPIS / DESCRIPTION : VEZA ZA "T" PREČKU / T - CONNECTOR</p> <p>MATERIJAL / MATERIAL : ALUMINIJUM / ALUMINIUM PAKOVANJE / PACKAGE :</p> <p>BOJA / COLOR :</p>

<p>165-00-001-00</p> 	<p>KAT.BR. : 165-00-001-00 Stock No : ART. No : OPIS / DESCRIPTION : ŠABLON / DRILLING GUIDE MATERIJAL / MATERIAL : PAKOVANJE / PACKAGE : BOJA / COLOR :</p>
<p>470-11-835-00</p> 	<p>KAT.BR. : 470-11-835-00 Stock No : ART. No : OPIS / DESCRIPTION : KLIN ZA "T" PREČKU Ø 6 / BREAK AWAY NAIL FOR T MATERIJAL / MATERIAL : ČELIK / STEEL PAKOVANJE / PACKAGE : BOJA / COLOR :</p>
<p>180-19-000-00</p> 	<p>KAT.BR. : 180-19-000-00 Stock No : ART. No : OPIS / DESCRIPTION : DODATNA VEZA / ALIGNMENT CORNER MATERIJAL / MATERIAL : ČELIK / STEEL PAKOVANJE / PACKAGE : BOJA / COLOR :</p>
<p>180-20-000-00</p> 	<p>KAT.BR. : 180-20-000-00 Stock No : ART. No : OPIS / DESCRIPTION : DODATNA VEZA / ALIGNMENT CORNER MATERIJAL / MATERIAL : POLIAMID / POLYAMIDE PAKOVANJE / PACKAGE : BOJA / COLOR : CRNA / BLACK</p>
<p>180-11-118-00</p> 	<p>KAT.BR. : 180-11-118-00 Stock No : ART. No : OPIS / DESCRIPTION : UGLIĆ / ALIGNMENT CORNER MATERIJAL / MATERIAL : POLIAMID / POLYAMIDE PAKOVANJE / PACKAGE : BOJA / COLOR : CRNA / BLACK PROFIL / PROFILE : M11118</p>
<p>300-09-304-03</p> 	<p>KAT.BR. : 300-09-304-03 Stock No : ART. No : OPIS / DESCRIPTION : ČEP ZA SREDNJU PREČKU / END COVER MATERIJAL / MATERIAL : POLIAMID / POLYAMIDE PAKOVANJE / PACKAGE : BOJA / COLOR : PROFIL / PROFILE : M9504</p>
<p>300-09-544-00</p> 	<p>KAT.BR. : 300-09-544-00 Stock No : ART. No : OPIS / DESCRIPTION : ČEP ZA SREDNJU PREČKU / END COVER MATERIJAL / MATERIAL : POLIAMID / POLYAMIDE PAKOVANJE / PACKAGE : BOJA / COLOR : CRNA / BLACK PROFIL / PROFILE : M9544</p>
<p>310-11-501-00</p> 	<p>KAT.BR. : 310-11-501-00 Stock No : ART. No : OPIS / DESCRIPTION : ČEP ZA TEHNOLOŠKI OTVOR / WATER CAP MATERIJAL / MATERIAL : POLIAMID / POLYAMIDE PAKOVANJE / PACKAGE : BOJA / COLOR : BIJELA / WHITE, CRNA / BLACK</p>

310-11-116-00		<p>KAT.BR. ART. No: 310-11-116-00 Stock No :</p> <p>OPIS / DESCRIPTION : ČEP / END COVER</p> <p>MATERIJAL / MATERIAL : POLIAMID / POLYAMIDE PAKOVANJE / PACKAGE :</p> <p>BOJA / COLOR : CRNA / BLACK PROFIL / PROFILE : M11116</p>
310-09-317-00		<p>KAT.BR. ART. No: 310-09-317-00 Stock No :</p> <p>OPIS / DESCRIPTION : ČEP ZA OKAPNICU/ END COVER</p> <p>MATERIJAL / MATERIAL POLIAMID / POLYAMIDE PAKOVANJE / PACKAGE :</p> <p>BOJA / COLOR : BIJELA/WHITE -CRNA/BLACK PROFIL / PROFILE : M9317</p>
310-09-346-00		<p>KAT.BR. ART. No: 310-09-346-00 Stock No :</p> <p>OPIS / DESCRIPTION : ČEP ZA PRAG / END CAP FOR TRESHOLD</p> <p>MATERIJAL / MATERIAL : PAKOVANJE / PACKAGE :</p> <p>BOJA / COLOR : PROFIL / PROFILE :</p>
310-09-431-00		<p>KAT.BR. ART. No: 310-09-431-00 Stock No :</p> <p>OPIS / DESCRIPTION : ZAVRŠNI POKLOPAC / ENDCAP</p> <p>MATERIJAL / MATERIAL : PAKOVANJE / PACKAGE :</p> <p>BOJA / COLOR : PROFIL / PROFILE : M9431</p>
170-60-561-00		<p>KAT.BR. ART No: 170-60-561-00 Stock No :</p> <p>OPIS : UGAO ZA LAJSNU M11461 DESCRIPTION CORNER PIECE FOR GLAZING BEAD</p> <p>MATERIJAL / MATERIAL : LIVENI AL / DIE CAST</p> <p>BOJA : SIROVO COLOR : MILL FINISH</p> <p>PAKOVANJE : PACKAGE :</p> <p>KAT.BR. : 170-60-561-02 BIJELA-WHITE, ART No: 170-60-561-03 CRNA - BLACK</p> <p>DIMENZIJE : DIMENSION :</p>
170-60-562-00		<p>KAT.BR. ART No: 170-60-562-00 Stock No :</p> <p>OPIS : UGAO ZA LAJSNU M11462 DESCRIPTION CORNER PIECE FOR GLAZING BEAD</p> <p>MATERIJAL / MATERIAL : LIVENI AL / DIE CAST</p> <p>BOJA : SIROVO COLOR : MILL FINISH</p> <p>PAKOVANJE : PACKAGE :</p> <p>KAT.BR. : 170-60-562-02 BIJELA-WHITE, ART No: 170-60-562-03 CRNA - BLACK</p> <p>DIMENZIJE : DIMENSION :</p>
170-60-563-00		<p>KAT.BR. ART No: 170-60-563-00 Stock No :</p> <p>OPIS : UGAO ZA LAJSNU M11463 DESCRIPTION CORNER PIECE FOR GLAZING BEAD</p> <p>MATERIJAL / MATERIAL : LIVENI AL / DIE CAST</p> <p>BOJA : SIROVO COLOR : MILL FINISH</p> <p>PAKOVANJE : PACKAGE :</p> <p>KAT.BR. : 170-60-563-02 BIJELA-WHITE, ART No: 170-60-563-03 CRNA - BLACK</p> <p>DIMENZIJE : DIMENSION :</p>
170-60-564-00		<p>KAT.BR. ART No: 170-60-564-00 Stock No :</p> <p>OPIS : UGAO ZA LAJSNU M11464 DESCRIPTION CORNER PIECE FOR GLAZING BEAD</p> <p>MATERIJAL / MATERIAL : LIVENI AL / DIE CAST</p> <p>BOJA : SIROVO COLOR : MILL FINISH</p> <p>PAKOVANJE : PACKAGE :</p> <p>KAT.BR. : 170-60-564-02 BIJELA-WHITE, ART No: 170-60-564-03 CRNA - BLACK</p> <p>DIMENZIJE : DIMENSION :</p>

	<p>KAT.BR. / ART. No 210-74-006-00 Stock No : İİ7406</p> <p>OPIS / DESCRIPTION : CENTRALNA ZAPTIVKA / CENTRAL GASKET</p> <p>MATERIJAL / MATERIAL : EPDM BOJA / COLOR: CRNA / BLACK</p>
	<p>KAT.BR. / ART. No 220-00-930-00 Stock No : MO9300</p> <p>OPIS / DESCRIPTION : ZAPTIVKA / GASKET</p> <p>MATERIJAL / MATERIAL : EPDM BOJA / COLOR: CRNA / BLACK</p>
	<p>KAT.BR. / ART. No 220-63-000-00 Stock No : İİ6300</p> <p>OPIS / DESCRIPTION : ZAPTIVKA / GASKET</p> <p>MATERIJAL / MATERIAL : EPDM BOJA / COLOR: CRNA / BLACK</p>
	<p>KAT.BR. / ART. No 200-05-506-00 Stock No :</p> <p>OPIS / DESCRIPTION : ZAPTIVKA ZA STAKLO 5 - 6 mm / GLAZING GASKET 5 - 6</p> <p>MATERIJAL / MATERIAL : EPDM BOJA / COLOR: CRNA / BLACK</p>
	<p>KAT.BR. / ART. No 910-00-022-35 Stock No :</p> <p>OPIS / DESCRIPTION : ZAPTIVKA ZA STAKLO 2,5 mm / GLAZING GASKET 2,5 mm</p> <p>MATERIJAL / MATERIAL : EPDM BOJA / COLOR: CRNA / BLACK</p>
	<p>KAT.BR. / ART. No 200-05-304-00</p> <p>OPIS / DESCRIPTION : ZAPTIVKA 3 - 4 mm / GLAZING GASKET 3 - 4 mm</p> <p>MATERIJAL / MATERIAL : EPDM BOJA / COLOR: CRNA / BLACK</p>
	<p>KAT.BR. / ART. No 200-06-860-00</p> <p>OPIS / DESCRIPTION : ZAPTIVKA 4 mm / GLAZING GASKET 4 mm</p> <p>MATERIJAL / MATERIAL : EPDM BOJA / COLOR: CRNA / BLACK</p>
	<p>KAT.BR. / ART. No 250-11-170-00</p> <p>OPIS / DESCRIPTION : ZAPTIVKA / GASKET</p> <p>MATERIJAL / MATERIAL : EPDM BOJA / COLOR: CRNA / BLACK</p>
	<p>KAT.BR. / ART. No 250-11-270-00</p> <p>OPIS / DESCRIPTION : ZAPTIVKA / GASKET</p> <p>MATERIJAL / MATERIAL : EPDM BOJA / COLOR: CRNA / BLACK</p>



- Telefoni: ++387 56 733 750; 710 571; 710-690
- Fax: ++387 56 733 196; 710 681
- E-mail: bhaluminium@alpro-vl.com
- Web: www.alumil.com, www.alumil.ba, www.alpro-vl.com